

**WJX2718AB38ENA0**
**Bottom port analog silicon Microphone**
**Descriptions**

The WJX2718AB38ENA0 is a miniature, high performance, low power, bottom port silicon microphone.

The WJX2718AB38ENA0 consists of an acoustic sensor, a low noise input buffer, and an output amplifier.

These devices are suitable for portable electronic devices where excellent wideband audio performance and RF immunity are required applications.

The WJX2718AB38ENA0 is manufactured in a compact 2.75mm\*1.85mm\*0.90mm, 3-pin package.

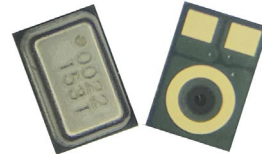
**Features**

- Small package
- Low current
- Flat Frequency Response
- Zero-Height
- Ultra-Stable Performance
- Standard SMD Reflow
- Omnidirectional

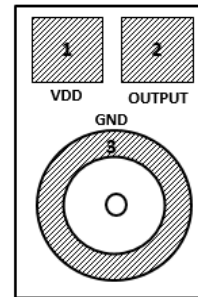
**Applications**

- Cellphones
- Smart phones
- ANC-Headset
- ANC-TWS
- Digital still cameras
- Portable music recorders

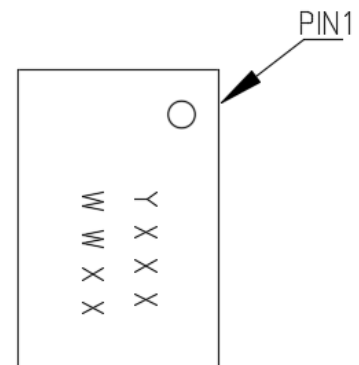
[Http://www.willsemi.com](http://www.willsemi.com)



**Product appearance**



**Pin configuration (Bottom view)**



**Marking (Top view)**

**Y** = Year code

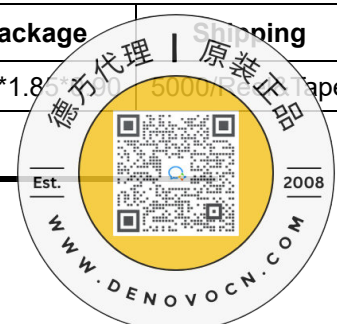
**WW** = Week code

**X X X**

**X X** = Batch code

**Order information**

Device	Package	Shipping
WJX2718AB38ENA0-3/TR	2.75*1.85	5000 Tapes



## Absolute maximum ratings

Parameter	Absolute Maximum Rating	Units
VDD to Ground	-0.5, +5.0	V
OUT to Ground	-0.3, VDD + 0.3	V
Input Current to Any Pin	±5	mA
Temperature Range	-40 to +100	°C

Stresses exceeding these “Absolute Maximum Ratings” may cause permanent damage to the device. These are stress ratings only. Functional operation at these or any other conditions beyond those indicated under “Acoustic & Electrical Specifications” is not implied. Exposure beyond those indicated under “Acoustic & Electrical Specifications” for extended periods may affect device reliability.

## ACOUSTIC & ELECTRICAL SPECIFICATIONS

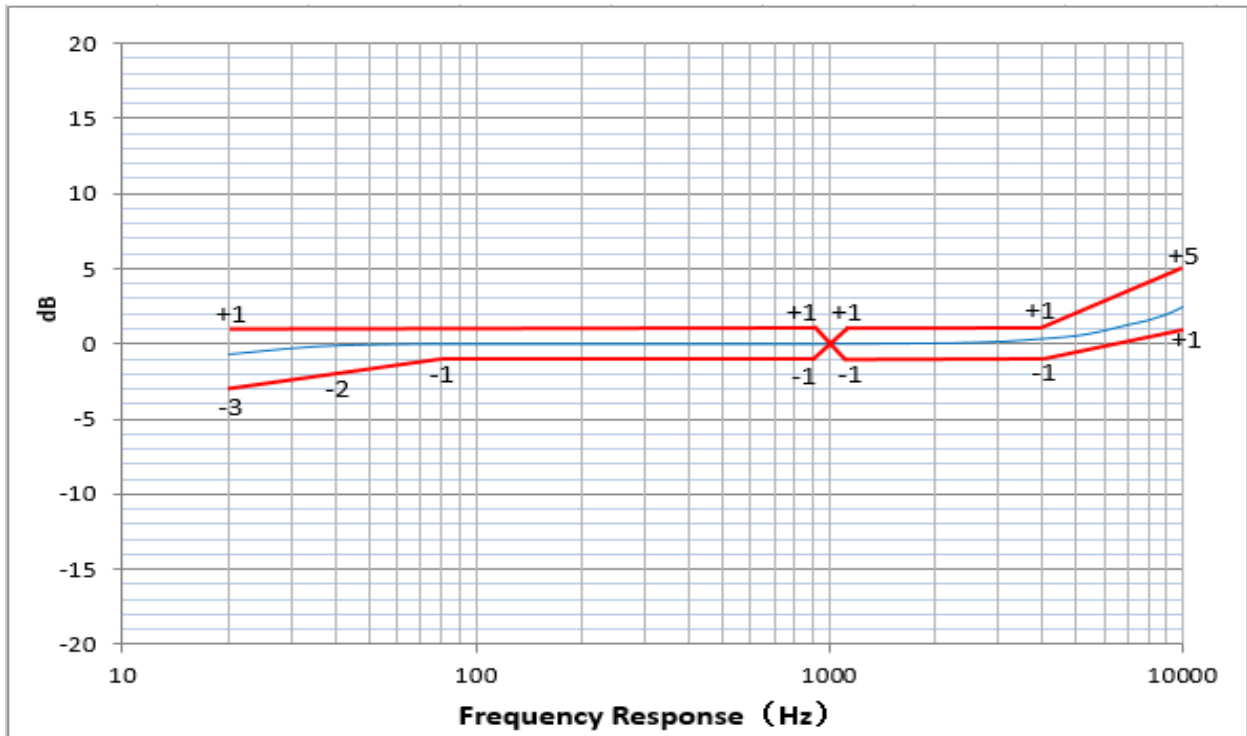
TEST CONDITIONS: 23 ±2°C, 55±20% R.H., V<sub>DD</sub>(min) < V<sub>DD</sub> < V<sub>DD</sub>(max), no load, unless otherwise indicated

Parameter	Symbol	Conditions	Min	Typ	Max	Units
Supply Voltage	VDD		1.5	-	3.6	V
Supply Current	IDD		-	92	-	uA
Sensitivity	S	94dB SPL @1KHz	-39	-38	-37	dBv
Signal to Noise Ratio	SNR	94dB SPL @1KHz, A-weighted	-	65	-	dB(A)
Total Harmonic Distortion	THD	94dB SPL @1KHz, S=Typ,	-	0.15	-	%
Acoustic Overload Point	AOP	10%THD @1KHz	-	130	-	dB SPL
Power Supply Rejection	PSR	100mVpp 7/8 duty cycle rectangular wave @217Hz, A-weight, 20KHz BW	-	-101	-	dBv
Power Supply Rejection Ratio	PSRR	200 mVpp sinewave @ 1 kHz	-	70	-	dB
Phase	Θ	20Hz~100Hz @ 94dB SPL	-3	-	3	°
		100Hz~5kHz @ 94dB SPL	-1	-	1	
		5KHz~10kHz @ 94dB SPL	-5	-	5	
DC Output			-	0.76	-	V
Output impedance	ZOUT	@1KH	-	-	300	Ω
Directivity			Omnidirectional			

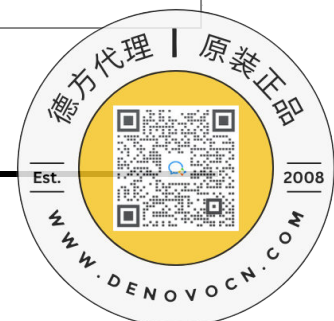
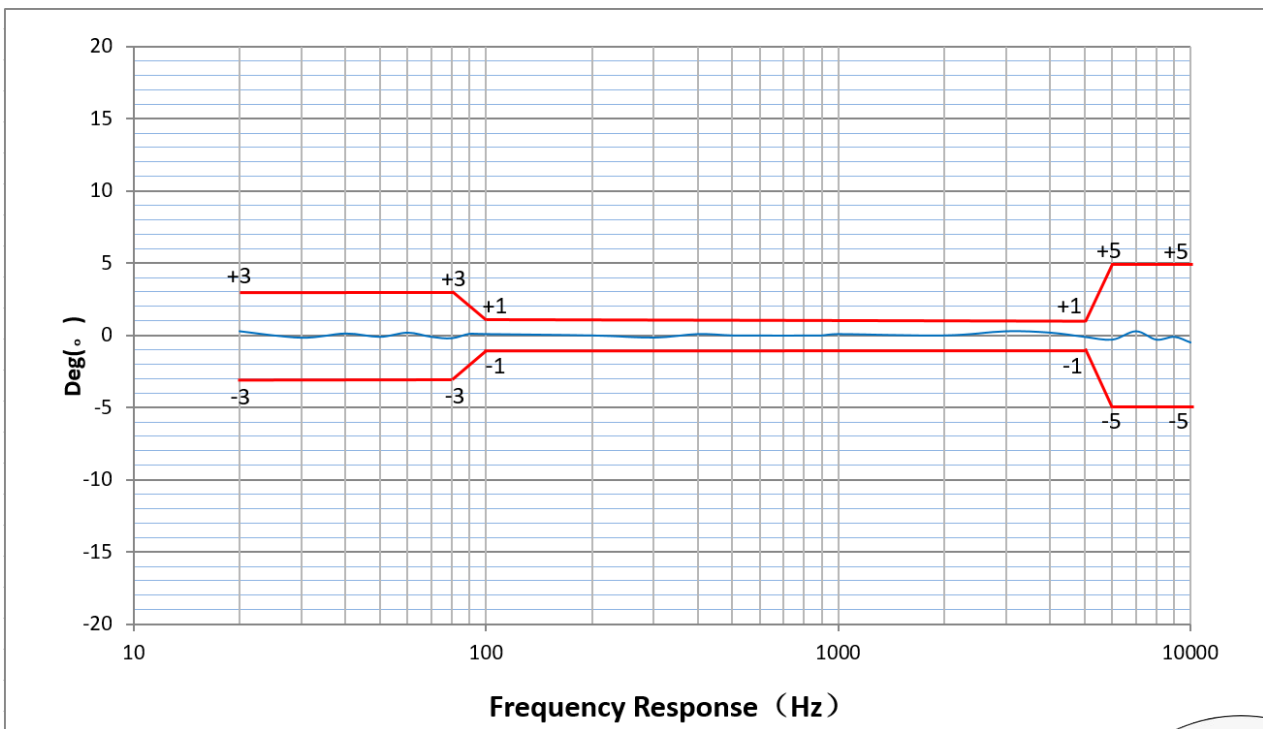
Typical specifications are measured at VDD = 2.2V.



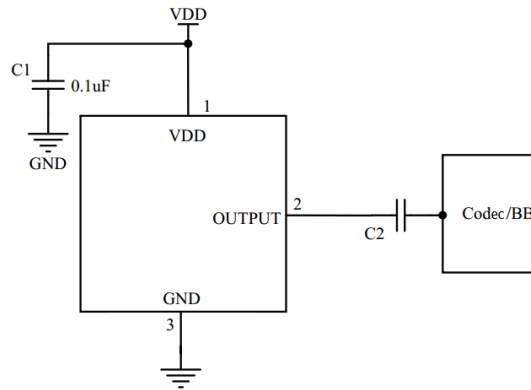
### Frequency response curve



### Phase



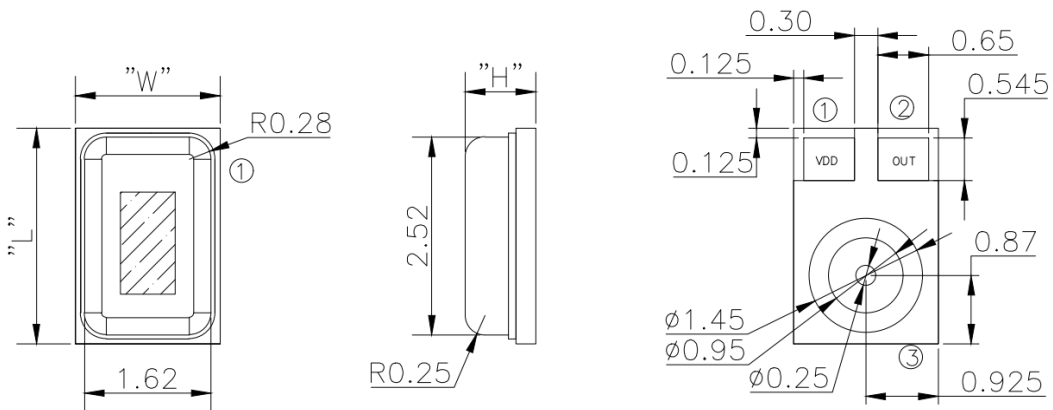
## Application informations



Note:

- All GND pins must be connected to ground.
- Capacitors near the microphone should not contain Class 2 dielectrics.

## MECHANICAL SPECIFICATIONS

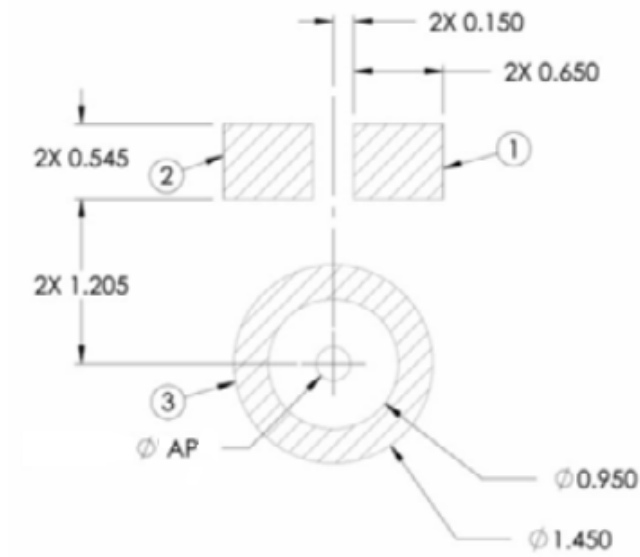
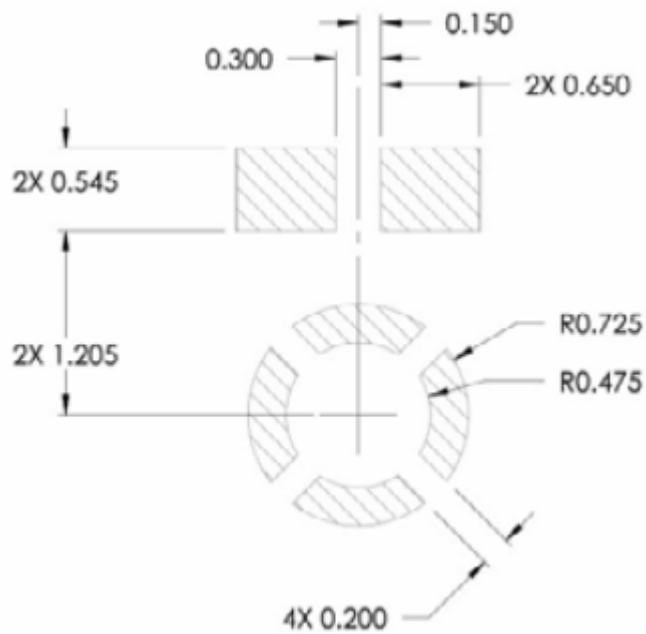


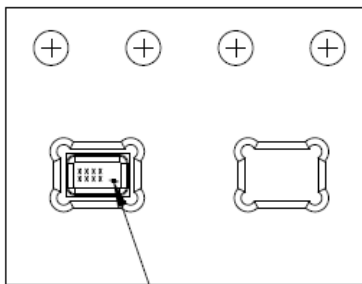
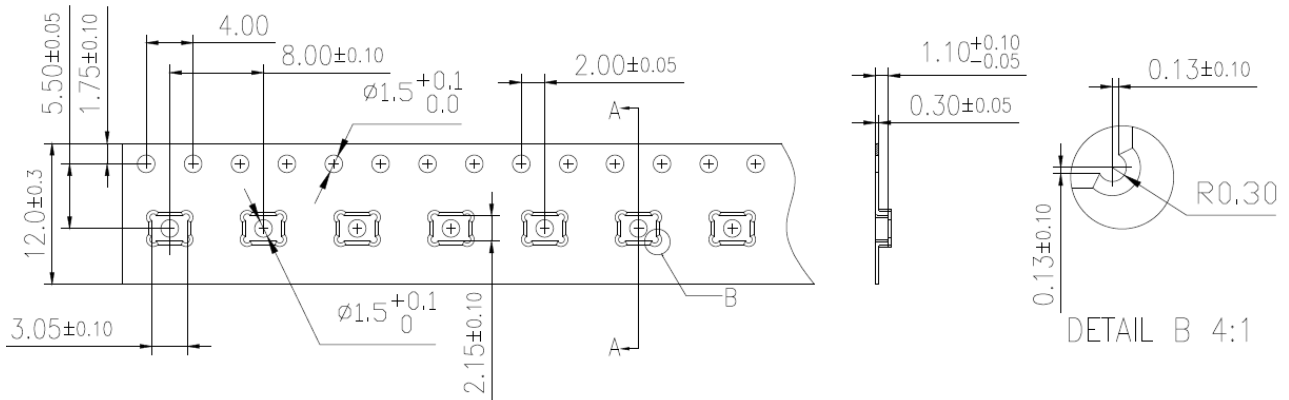
Item	Dimension	Tolerance
Length(L)	2.75	±0.10
Width(W)	1.85	±0.10
Height(H)	0.90	±0.10
Acoustic Port (AP)	Ø0.25	±0.05

Pin#	Pin Name	Description
1	VDD	Power Supply
2	OUTPUT	Output Signal
3	GND	GND

Notes:

- Dimensions are in millimeters unless otherwise specified.
- Tolerance is ±0.10mm unless otherwise specified.

**EXAMPLE LAND PATTERN**

**EXAMPLE SOLDER STENCIL PATTERN**


**PACKAGING & MARKING DETAIL**


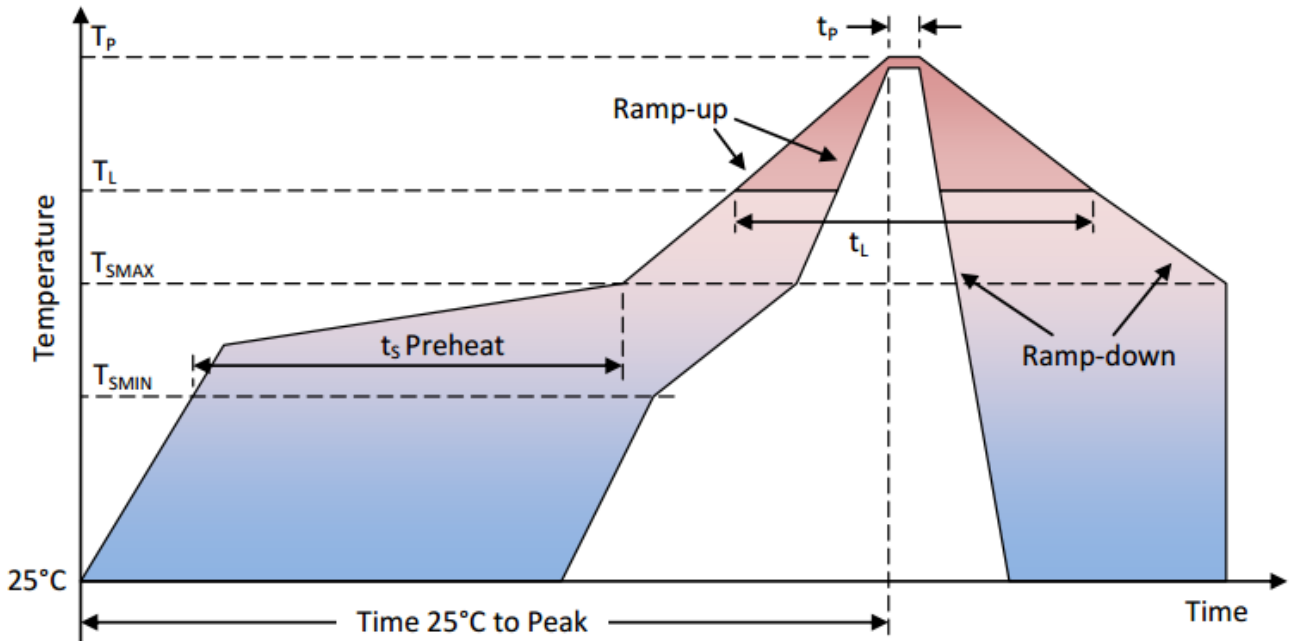
Pin 1

**Notes:**

- Dimensions are in millimeters unless otherwise specified.
- Vacuum pickup only in the pick area indicated in Mechanical Specifications.
- Tape & reel per EIA-481.
- Labels applied directly to reel and external package.

Model Number	Reel Diameter	Quantity Per Reel
WJX2718AB38ENA0	13"	5,000



**REFERENCED REFLOW PROFILE**


Profile Feature	Pb-Free
Average Ramp-up rate ( $T_{SMAX}$ to $T_P$ )	3°C/second max.
Preheat <ul style="list-style-type: none"> <li>• Temperature Min (<math>T_{SMIN}</math>)</li> <li>• Temperature Max (<math>T_{SMAX}</math>)</li> <li>• Time (<math>T_{SMIN}</math> to <math>T_{SMAX}</math>) (<math>t_s</math>)</li> </ul>	150°C 200°C 60-180 seconds
Time maintained above: <ul style="list-style-type: none"> <li>• Temperature (<math>T_L</math>)</li> <li>• Time (<math>t_L</math>)</li> </ul>	217°C 60-150 seconds
Peak Temperature ( $T_P$ )	260°C
Time within 5°C of actual Peak Temperature ( $t_p$ )	20-40 seconds
Ramp-down rate ( $T_P$ to $T_{SMAX}$ )	6°C/second max
Time 25°C to Peak Temperature	8 minutes max

Note:

All temperatures refer to topside of the package, measured on the package body surface.



## ADDITIONAL NOTES

(A) Maximum of 3 reflow cycles is recommended.

(B) In order to minimize device damage:

- Do not board wash or clean after the reflow process.
- Do not brush board with or without solvents after the reflow process.
- Do not directly expose to ultrasonic processing, welding, or cleaning.
- Do not insert any object in port hole of device at any time.
- Do not apply over 30 psi of air pressure into the port hole.
- Do not pull a vacuum over port hole of the microphone.
- Do not apply a vacuum when repacking into sealed bags at a rate faster than 0.5 atm/sec.

## MATERIALS STATEMENT

Meets the requirements of the European RoHS and Halogen-Free.

## RELIABILITY SPECIFICATIONS

Test	Description
Thermal Shock	100 cycles air-to-air thermal shock from -40°C to +125°C with 15 minute soaks.
High Temperature Storage	1000 hours at +105°C environment
Low Temperature Storage	1000 hours at -40°C environment
High Temperature Bias	1000 hours at +105°C under bias.
Low Temperature Bias	1000 hours at -40°C under bias.
Temperature / Humidity Bias	1000 hours at +85°C /85% R.H.
Vibration	4 cycles of 20 to 2,000 Hz sinusoidal sweep with 20g peak acceleration lasting 12 minutes in X, Y, and Z directions.
ESD-HBM	3 discharges of ±2 kV direct contact to I/O pins.
ESD-LID/GND	3 discharges of ±8 kV direct contact to lid while unit is grounded.
ESD-MM	3 discharges of ±200V direct contact to I/O pins.
Reflow	5 reflow cycles with peak temperature of +260°C
Mechanical Shock	3 pulses of 10,000g in the X, Y, and Z direction
Drop Test	To be no interference in operation after dropped to marble or 1.0cm steel plate 18 times from 1.5 meter height.

Note:

After reliability tests are performed, the sensitivity of the microphones shall not deviate more than 1 dB from its initial value.

