



# **DATASHEET -Preliminary-**

## **Surface Acoustic Wave Filter**

- **Application : UMTS BAND2**
- **Model : SFXG80UZE02**
- **Center Frequency : 1850.0 [MHz]**



**WISOL CO., LTD.**

373-7, GAJANG-DONG, OSAN-SI  
GYUNGGI-DO, KOREA, 447-210

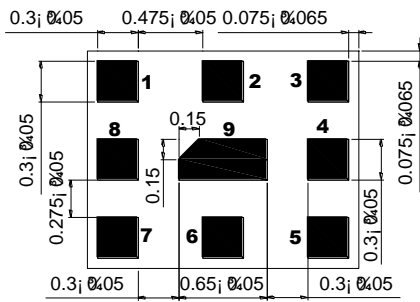
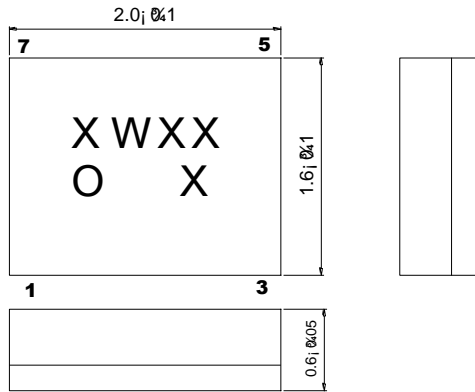
<http://www.wisol.co.kr>

E-mail: [sales@wisol.co.kr](mailto:sales@wisol.co.kr)

购买原装正品请认准-德方电子  
免费服务热线: 400-655-8700  
深圳总部电话: 0755-28187877  
网址: [www.denovocn.com](http://www.denovocn.com)

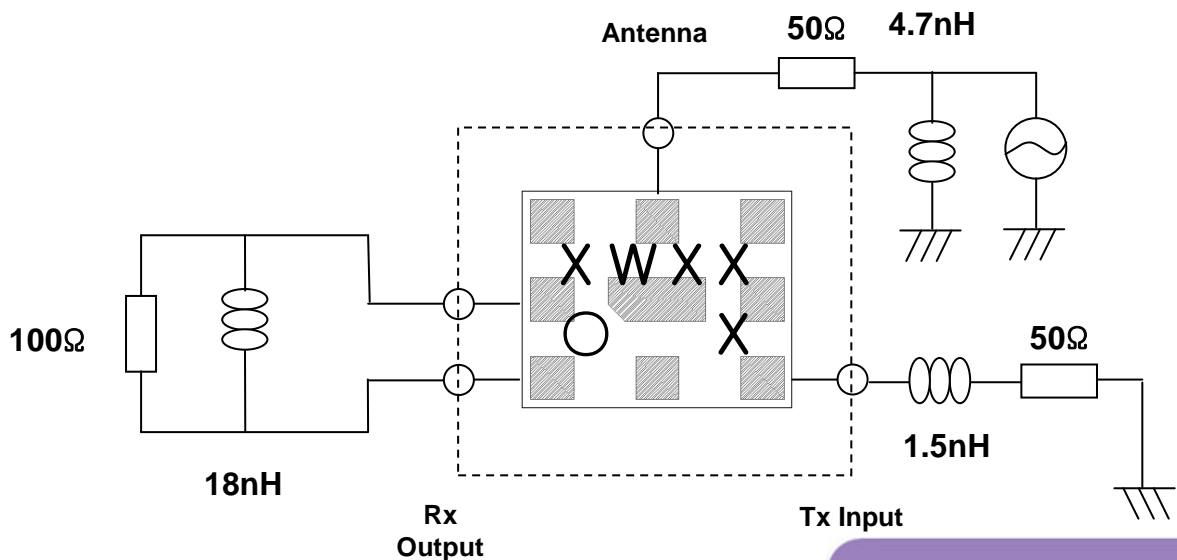
1. OUTLINE DRAWING & RECOMMENDED PCB

[Unit: mm]



No.	Function
1, 8	Rx Output
3	Tx Input
6	Antenna
2, 4, 5, 7, 9	GND

2. TEST FIXTURE



< Top View >

购买原装正品请认准-德方电子  
 免费服务热线: 400-655-8700  
 深圳总部电话: 0755-28187877  
 网址: www.denovocn.com

### 3. PERFORMANCE

#### 3-1. MAXIMUM RATINGS

CHARACTERISTICS	RATINGS	UNITS
DC Permissive Voltage	5	V
Maximum Input Power	0.8	W
Operating Temperature Range	-20 ~ +85	°C
Storage Temperature Range	-40 ~ +85	°C

#### 3-2. ELECTRICAL CHARACTERISTICS

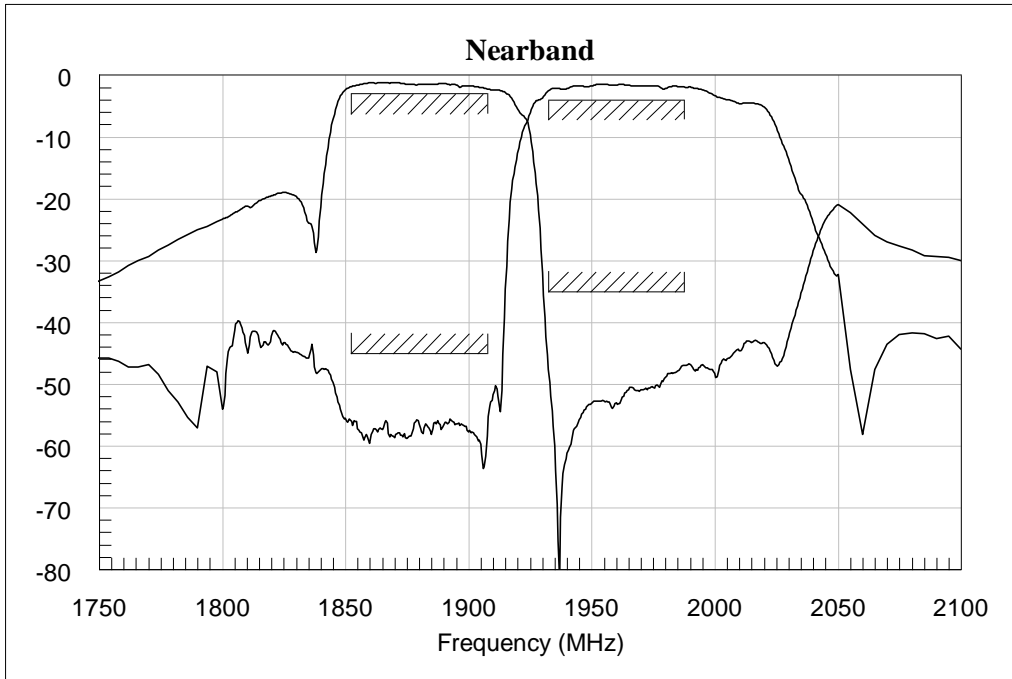
##### 3-2-1. TABLE

Ta = -20 ~ +85°C

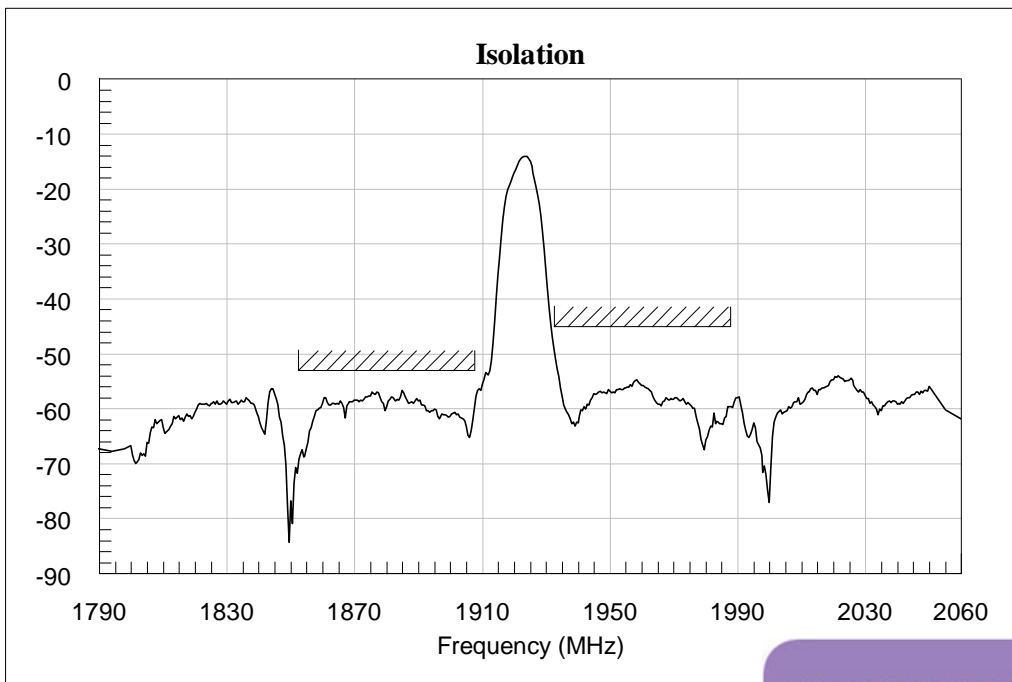
Item	CONDITION [MHz]	UNIT	RATING		
			Min.	Typ.(25°C)	Max.
TX → ANTENNA					
Insertion Loss	1852.4 ~ 1907.6	dB	-	2.5	3.0
Inband Ripple	1852.4 ~ 1907.6	dB	-	1.3	2.0
VSWR	1852.4 ~ 1907.6	-	-	1.7	2.2
Absolute Attenuation	1572 ~ 1579	dB	27	32	-
	1932.4 ~ 1987.6	dB	35	45	-
	2400 ~ 2500	dB	25	35	-
Termination Impedance : INPUT / ANTENNA		50Ω(+1.5nH) / 50Ω(// 4.7nH)			
ANTENNA → RX					
Insertion Loss	1932.4 ~ 1987.6	dB	-	2.6	3.9
Inband Ripple	1932.4 ~ 1987.6	dB	-	1.0	2.5
VSWR	1932.4 ~ 1987.6	-	-	1.6	2.2
Amplitude imbalance	1932.4 ~ 1987.6	dB	-3	-1.8/+1.1	3
Phase imbalance	1932.4 ~ 1987.6	degree	-20	-5/+8	20
Absolute Attenuation	1852.4 ~ 1907.6	dB	45	55	-
	2400 ~ 2500	dB	30	43	-
	2500 ~ 3860	dB	30	40	-
Termination Impedance : ANT / OUTPUT		50Ω (//4.7nH) / Differential 100Ω(//18nH)			
TX → RX					
Isolation between Rx and Tx	1852.4 ~ 1907.6	dB	53	59	-
	1932.4 ~ 1987.6	dB	45		

3-2-2. GRAPH

3-2-2-1. Tx→Ant, Ant→Rx Transmission Characteristics

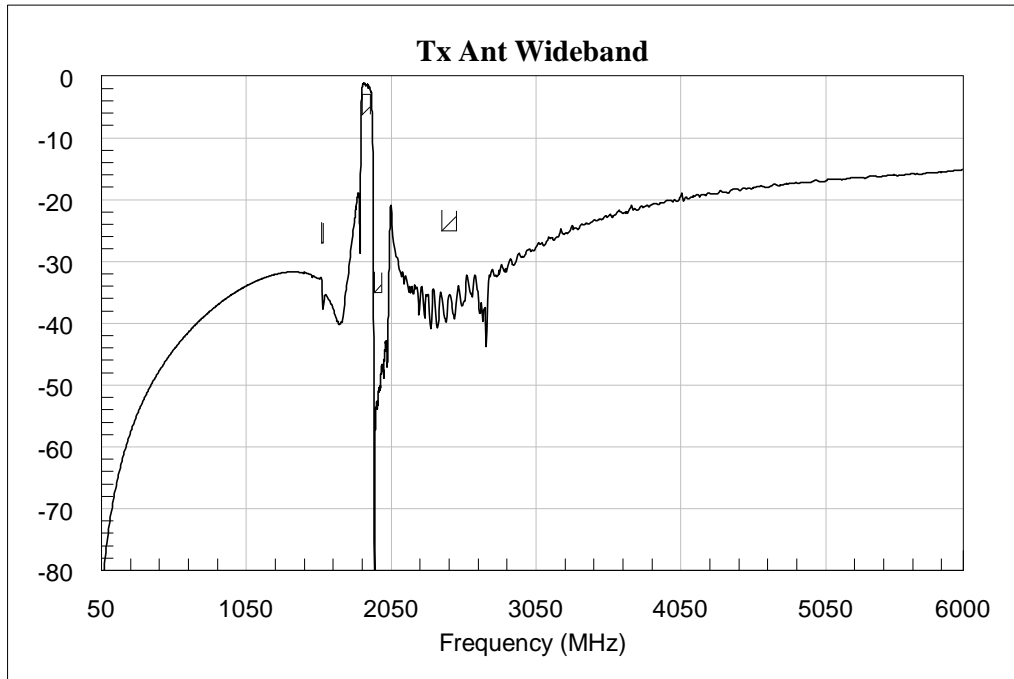


3-2-2-2. Tx→Rx Isolation Characteristics

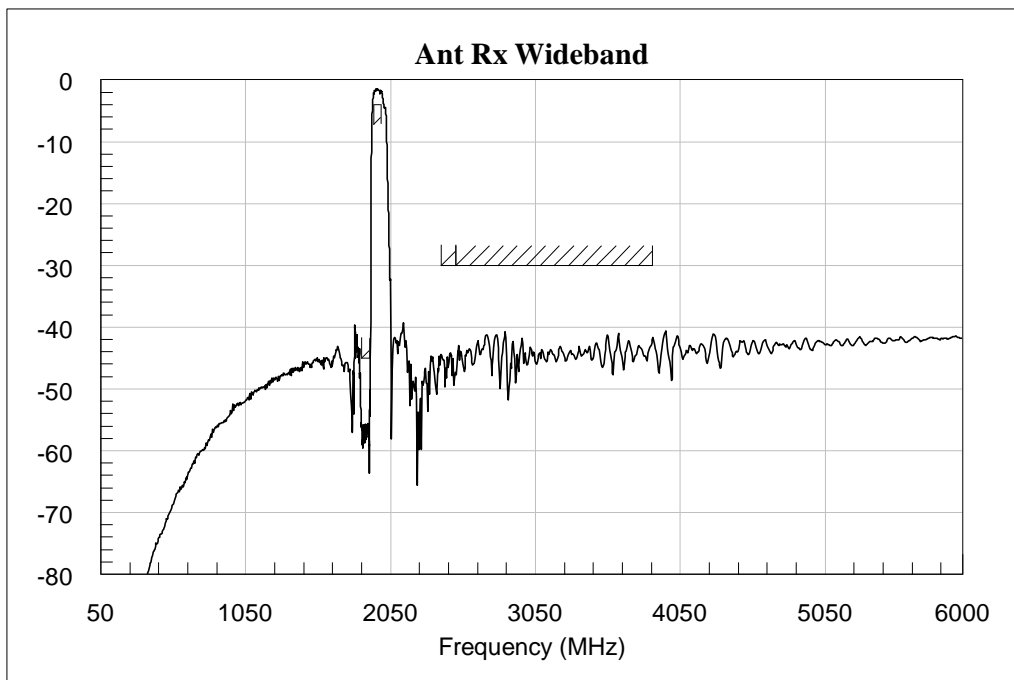


购买原装正品请认准-德方电子  
免费服务热线: 400-655-8700  
深圳总部电话: 0755-28187877  
网址: www.denovocn.com

3-2-2-3. Wideband Tx→Ant Characteristics



3-2-2-4. Wideband Ant→Rx Transmission Characteristics

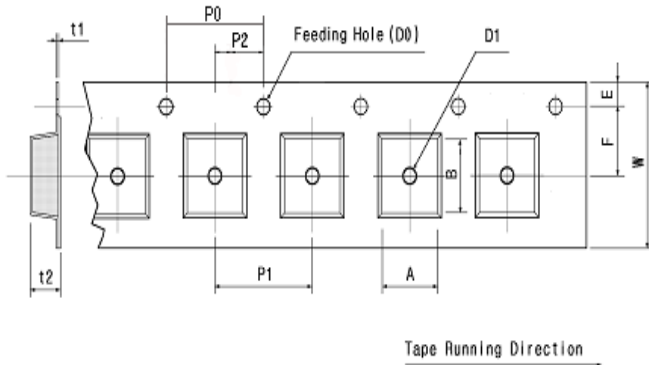


购买原装正品请认准-德方电子  
免费服务热线: 400-655-8700  
深圳总部电话: 0755-28187877  
网址: [www.denovocn.com](http://www.denovocn.com)

4. PACKING

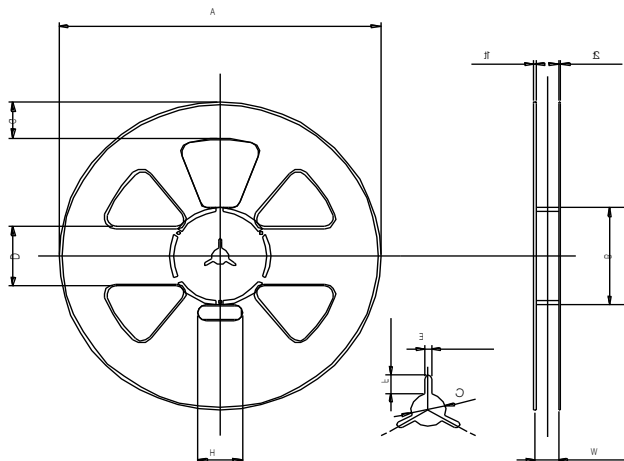
4-1. DIMENSIONS

- Carrier Tape [Unit: mm]



A	B	D0	D1
2.19	2.77	Ø1.50	Ø1.00
+0.10	+0.10	+0.10	+0.25
-0.10	-0.10	-0.00	-0.00
E	F	P0	P1
1.75	3.50	4.00	4.00
+0.10	+0.05	+0.10	+0.10
-0.10	-0.05	-0.10	-0.10
P2	t1	t2	W
2.00	0.250	1.38	8.00
+0.05	+0.02	+0.10	+0.30
-0.05	-0.02	-0.10	-0.10

- Reel [Unit: mm]



A	B	C	D
Ø258.0	Ø81.0	Ø13.0	50.0
+1.0	+1.0	+0.5	+0.8
-0.5	-1.0	-0.5	-0.8
E	F	G	H
2.2	7.0	30.0	35.0
+0.3	+0.5	+0.8	+1.0
-0.3	-0.5	-0.8	-1.0
t1	t2	W	
1.8	1.5	9.0	
+0.5	+0.5	+1.0	
-0.5	-0.5	-0.5	

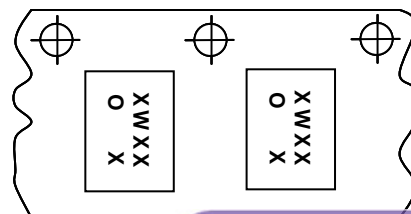
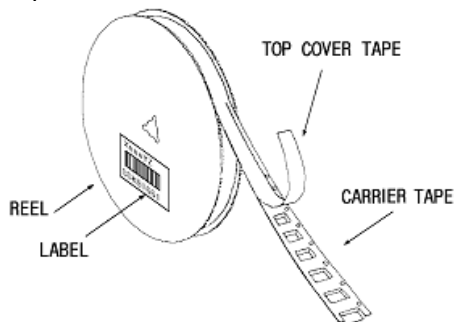
- The product shall be packed properly not to be damaged during transportation and storage.

4-2. REELING QUANTITY

10 inch reel: 8,000 pcs/reel

4-3. TAPING STRUCTURE

The tape shall be wound around the reel in direction shown below.



Tape Running direction

购买原装正品请认准-德方电子  
 免费服务热线: 400-655-8700  
 深圳总部电话: 0755-28187877  
 网址: www.denovocn.com