



SPECIFICATION

Surface Acoustic Wave Filter

- **Application : UMTS DPX (UMTS Band V)**
- **Model : SFX836UZ102**
- **Center Frequency : 836.5 / 881.5 [MHz]**



WISOL CO., LTD.

373-7, GAJANG-DONG, OSAN-SI
GYUNGGI-DO, KOREA, 447-210

<http://www.wisol.co.kr>

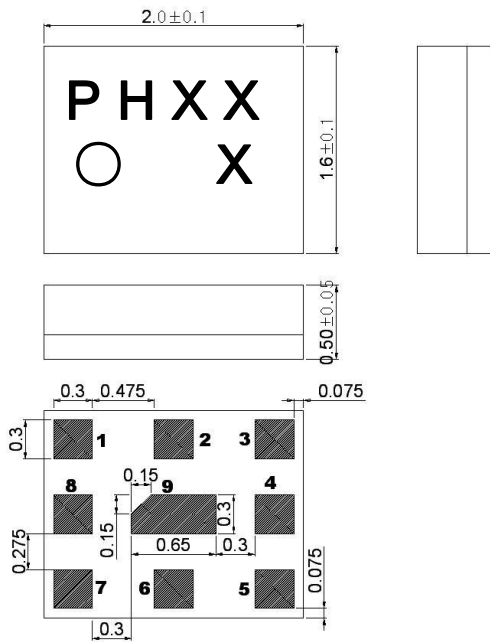
E-mail: sales@wisol.co.kr

购买原装正品请认准-德方电子
免费服务热线: 400-655-8700
深圳总部电话: 0755-28187877
网址: www.denovocn.com

1. OUTLINE DRAWING & RECOMMENDED PCB

< Outline Drawing >

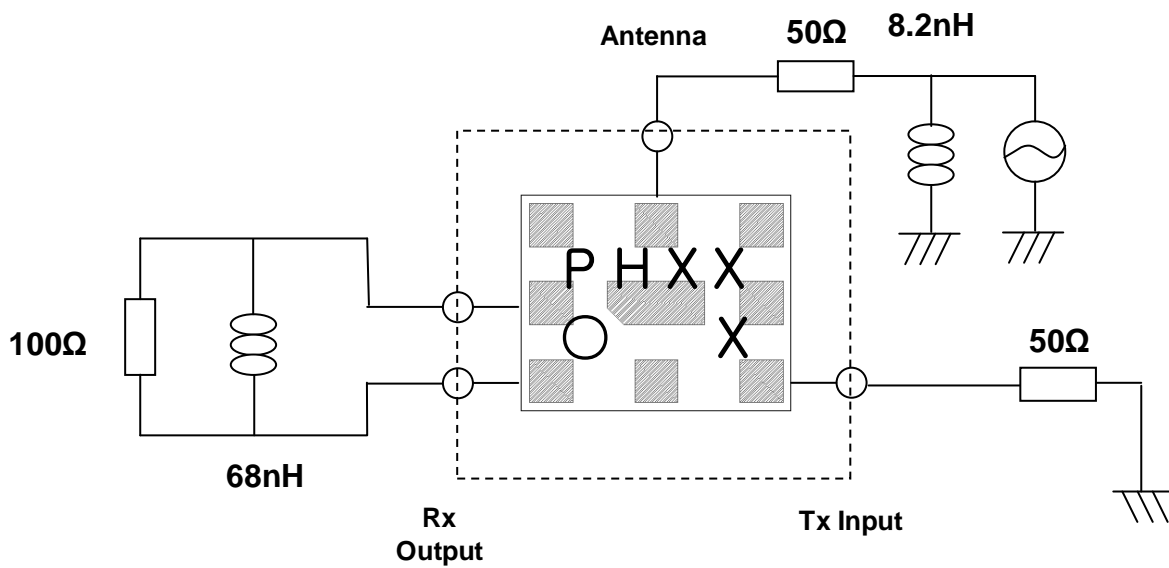
[UNIT:mm]



| No. | Function |
|---------------|-----------|
| 1, 8 | Rx Output |
| 3 | Tx Input |
| 6 | Antenna |
| 2, 4, 5, 7, 9 | GND |

[Unit: mm]

2. TEST FIXTURE



< Top View >

购买原装正品请认准-德方电子
 免费服务热线: 400-655-8700
 深圳总部电话: 0755-28187877
 网址: www.denovocn.com

3. PERFORMANCE

3-1. MAXIMUM RATINGS

| CHARACTERISTICS | RATINGS | UNITS |
|-----------------------------|-----------|-------|
| DC Permissive Voltage | 5 | V |
| Maximum Input Power | 1.0 | W |
| Operating Temperature Range | -30 ~ +85 | °C |
| Storage Temperature Range | -40 ~ +85 | °C |

3-2. ELECTRICAL CHARACTERISTICS

3-2-1. TABLE

Ta = -30 ~ +85°C

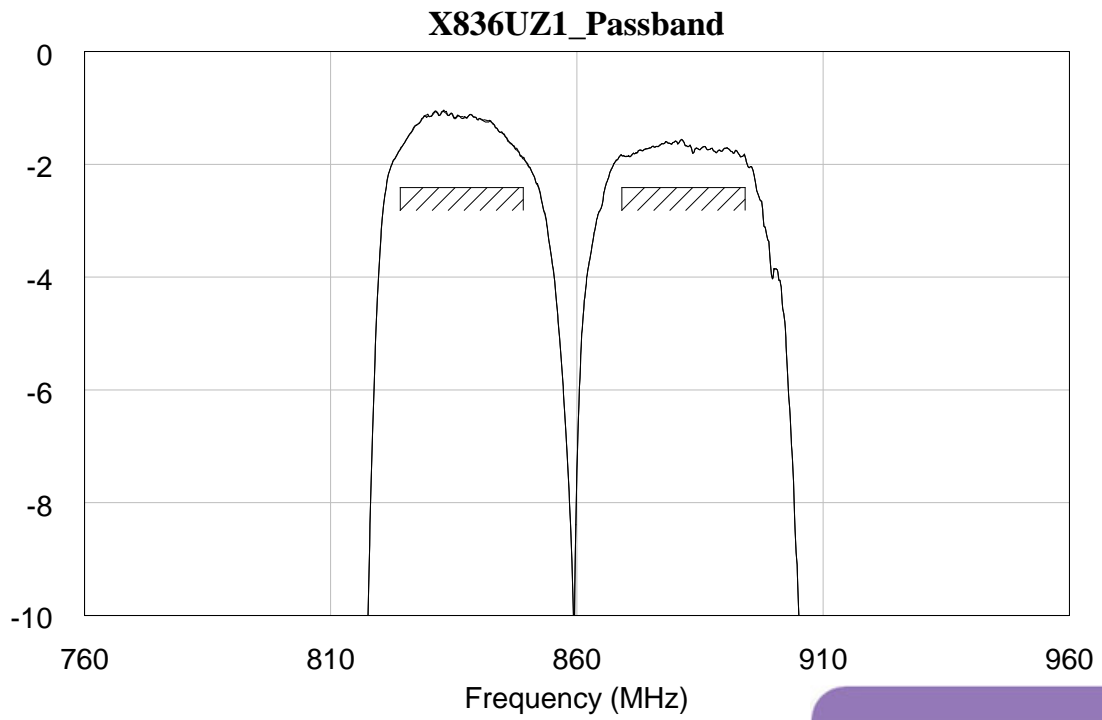
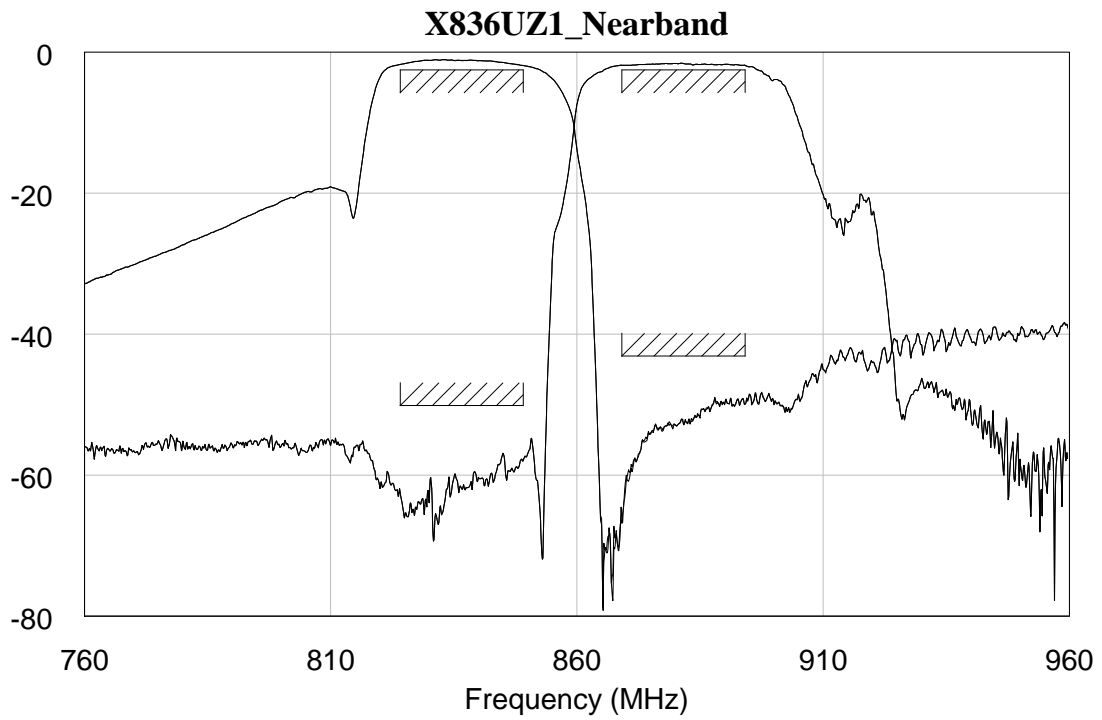
| Item | CONDITION [MHz] | UNIT | RATING | | |
|---|--------------------|------|-----------------------|------------|------|
| | | | Min. | Typ.(25°C) | Max. |
| TX → ANTENNA | | | | | |
| Insertion Loss | 824 ~ 849 | dB | - | 1.8 | 2.4 |
| Inband Ripple | 824 ~ 849 | dB | - | 0.8 | 1.5 |
| VSWR | 824 ~ 849 | - | - | 1.4 | 2.0 |
| Absolute Attenuation | 0 ~ 779 | dB | 30 | 34 | - |
| | 779 ~ 804 | dB | 22 | 25 | - |
| | 869 ~ 894 | dB | 43 | 50 | - |
| | 925 ~ 960 | dB | 35 | 40 | - |
| | 1570 ~ 1580 | dB | 22 | 25 | - |
| | 1805 ~ 1880 | dB | 20 | 22 | - |
| | 1930 ~ 1990 | dB | 18 | 20 | - |
| | 2110 ~ 2170 | dB | 15 | 19 | - |
| | 2400 ~ 2500 | dB | 12 | 16 | - |
| | 2500 ~ 3000 | dB | 12 | 16 | - |
| | 3000 ~ 4000 | dB | 5 | 9 | - |
| 4000 ~ 6000 | dB | 3 | 5 | - | |
| Termination Impedance : INPUT / ANTENNA | | | 50Ω / 50Ω(// 8.2[nH]) | | |

购买原装正品请认准-德方电子
 免费服务热线: 400-655-8700
 深圳总部电话: 0755-28187877
 网址: www.denovocn.com

| Item | CONDITION [MHz] | UNIT | RATING | | |
|---|--------------------|------|--|-----------|------|
| | | | Min. | Typ.(25℃) | Max. |
| ANTENNA → RX | | | | | |
| Insertion Loss | 869 ~ 894 | dB | - | 1.8 | 2.4 |
| Inband Ripple | 869 ~ 894 | dB | - | 0.5 | 1.2 |
| VSWR | 869 ~ 894 | - | - | 1.4 | 2.0 |
| Absolute Attenuation | 0 ~ 779 | dB | 50 | 70 | - |
| | 779 ~ 824 | dB | 50 | 58 | - |
| | 824 ~ 849 | dB | 50 | 59 | - |
| | 915 ~ 925 | dB | 18 | 20 | - |
| | 925 ~ 960 | dB | 18 | 20 | - |
| | 960 ~ 2000 | dB | 50 | 55 | - |
| | 2000 ~ 2500 | dB | 45 | 52 | - |
| | 2500 ~ 3000 | dB | 45 | 50 | - |
| | 3000 ~ 4000 | dB | 44 | 47 | - |
| 4000 ~ 6000 | dB | 44 | 47 | - | |
| Termination Impedance : ANT / OUTPUT | | | 50Ω / (// 8.2[nH]) Differential 100Ω(// 68[nH]) | | |
| TX → RX | | | | | |
| Isolation between Rx and Tx | 824 ~ 849 | dB | 55 | 61 | - |
| | 869 ~ 894 | dB | 50 | 53 | - |

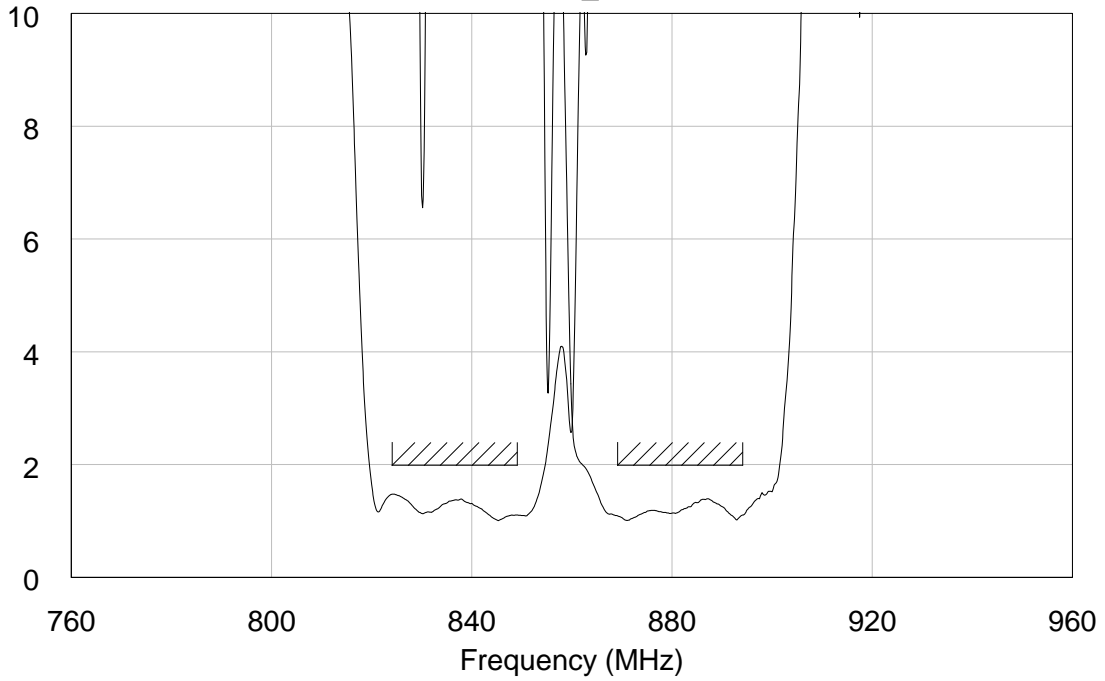
购买原装正品请认准-德方电子
 免费服务热线: 400-655-8700
 深圳总部电话: 0755-28187877
 网址: www.denovocn.com

3-2-2. GRAPH

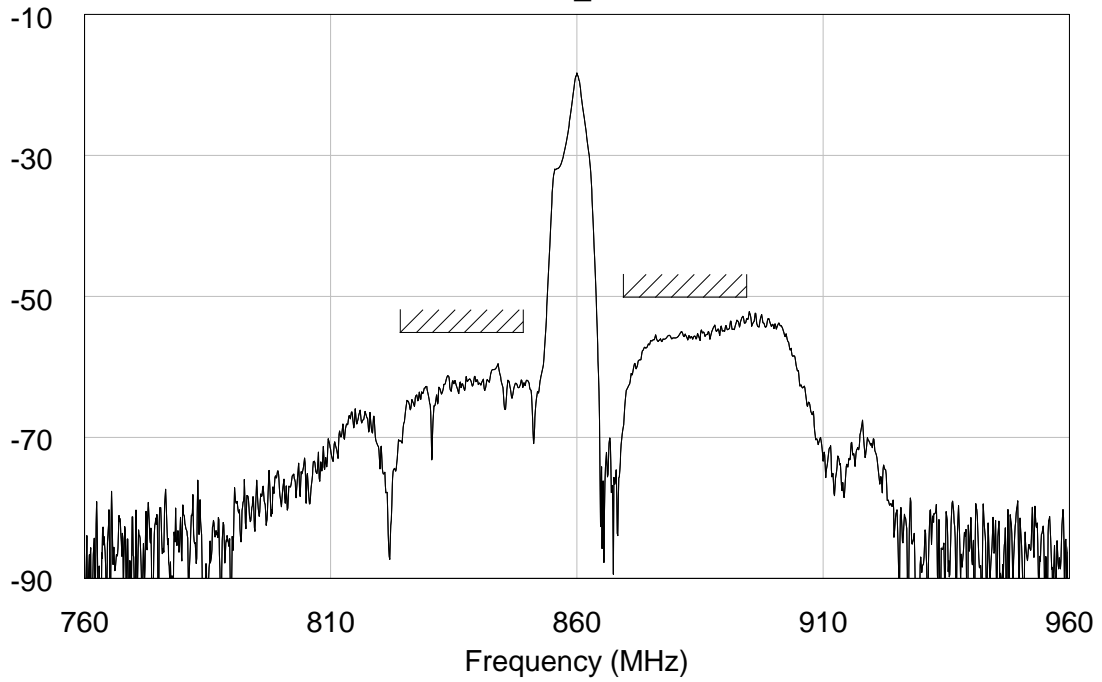


购买原装正品请认准-德方电子
免费服务热线: 400-655-8700
深圳总部电话: 0755-28187877
网址: www.denovocn.com

X836UZ1_VSWR



X836UZ1_Isolation



购买原装正品请认准-德方电子
免费服务热线: 400-655-8700
深圳总部电话: 0755-28187877
网址: www.denovocn.com

4. PACKING

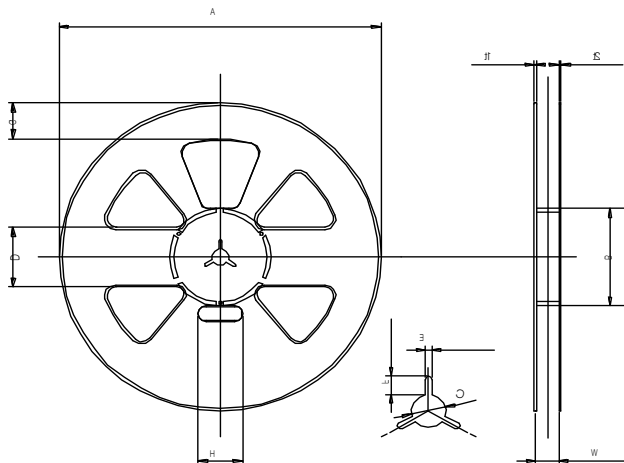
4-1. DIMENSIONS

- Carrier Tape [Unit: mm]



| | | | |
|-------|-------|-------|-------|
| A | B | D0 | D1 |
| 2.19 | 2.77 | Ø1.50 | Ø1.00 |
| +0.10 | +0.10 | +0.10 | +0.25 |
| -0.10 | -0.10 | -0.00 | -0.00 |
| E | F | P0 | P1 |
| 1.75 | 3.50 | 4.00 | 4.00 |
| +0.10 | +0.05 | +0.10 | +0.10 |
| -0.10 | -0.05 | -0.10 | -0.10 |
| P2 | t1 | t2 | W |
| 2.00 | 0.250 | 1.38 | 8.00 |
| +0.05 | +0.02 | +0.10 | +0.30 |
| -0.05 | -0.02 | -0.10 | -0.10 |

- Reel [Unit: mm]



| | | | |
|--------|-------|-------|------|
| A | B | C | D |
| Ø258.0 | Ø81.0 | Ø13.0 | 50.0 |
| +1.0 | +1.0 | +0.5 | +0.8 |
| -0.5 | -1.0 | -0.5 | -0.8 |
| E | F | G | H |
| 2.2 | 7.0 | 30.0 | 35.0 |
| +0.3 | +0.5 | +0.8 | +1.0 |
| -0.3 | -0.5 | -0.8 | -1.0 |
| t1 | t2 | W | |
| 1.8 | 1.5 | 9.0 | |
| +0.5 | +0.5 | +1.0 | |
| -0.5 | -0.5 | -0.5 | |

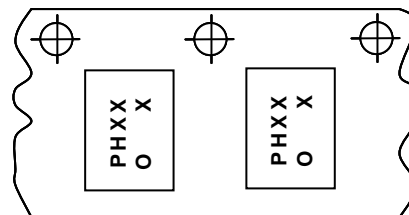
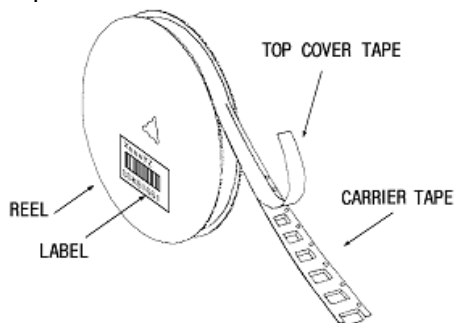
- The product shall be packed properly not to be damaged during transportation and storage.

4-2. REELING QUANTITY

10 inch reel: 8,000 pcs/reel

4-3. TAPING STRUCTURE

The tape shall be wound around the reel in direction shown below.



Tape Running Direction

购买元器件请认准-德方电子
免费服务热线: 400-655-8700
深圳总部电话: 0755-28187877
网址: www.denovocn.com