



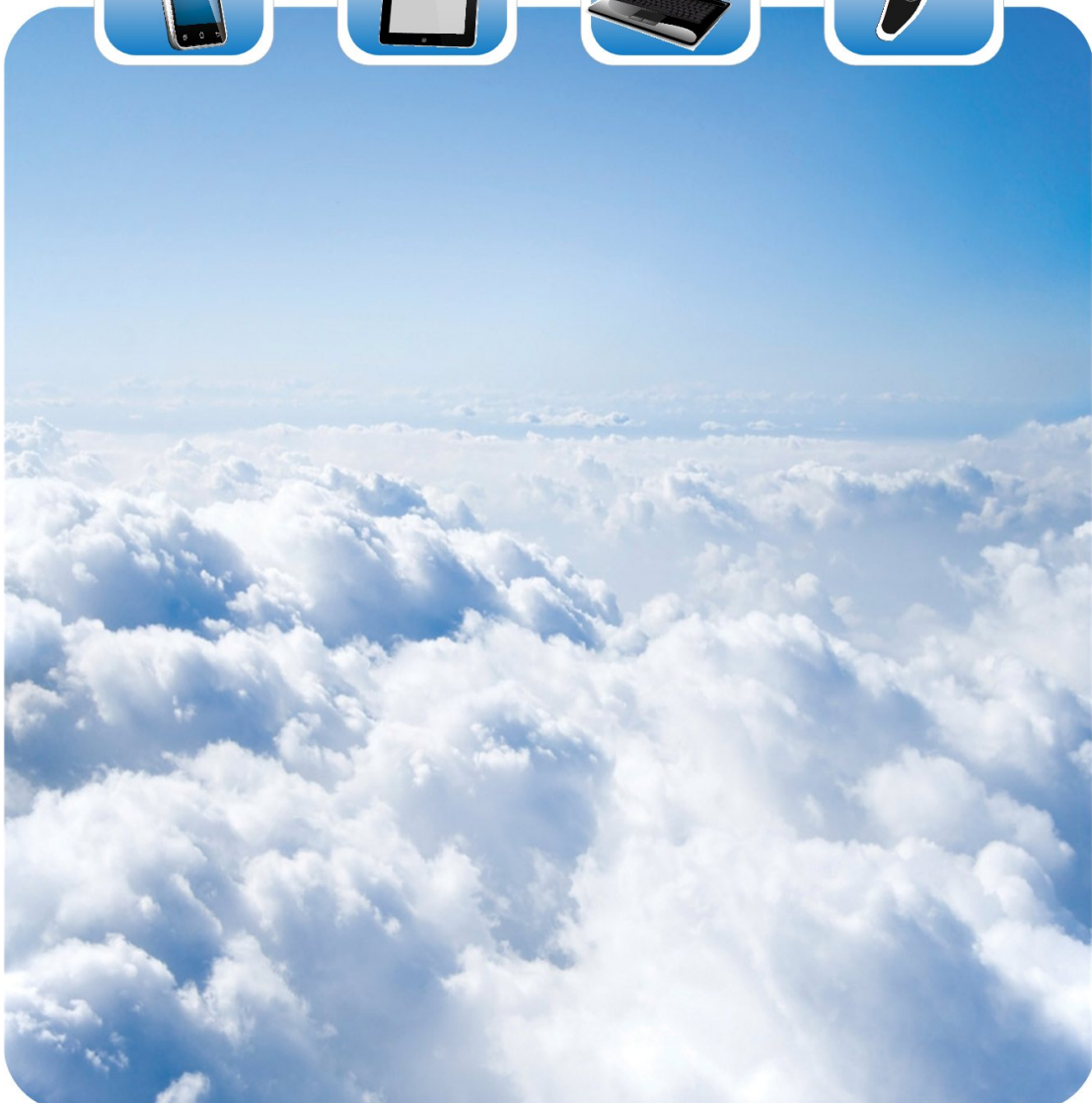
苏州敏芯微电子技术股份有限公司
MEMSensing Microsystems (Suzhou, China) Co., Ltd.

Data Sheet

V1.0 / Oct. 2019

MSM261S3526Z0CM

I²S digital output MEMS microphone with Multi-modes



MSM261S3526Z0CM

I²S digital output MEMS microphone



GENERAL DESCRIPTION

MSM261S3526Z0CM is an omni-directional, Bottom-ported, I²S digital output MEMS microphone. It has high performance and reliability.

MSM261S3526Z0CM is available in a 3.50 mm × 2.65 mm × 0.98 mm metal can LGA package. It is SMT compatible with no sensitivity degradation.

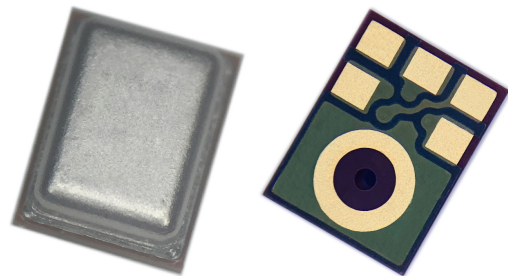
APPLICATIONS

- ✧ Mobile Phone
- ✧ Laptop
- ✧ Tablet computer
- ✧ Bluetooth headset
- ✧ Earphone
- ✧ Wearable intelligent equipment

FEATURES

- ✧ Cost effective
- ✧ Digital I²S output
- ✧ Low Power Mode
- ✧ Compatible with Sn/Pb and Pb-free solder processes
- ✧ RoHS/Halogen free compliant
- ✧ Sensitivity Matching within +/-1dB

PRODUCT VIEW





ABSOLUTE MAXIMUM RATINGS

Parameter	Maximum value	Unit
Supply Voltage	-0.3 to 4.0	V
Sound Pressure Level	140	dB SPL
Storage temperature	-40 to 100	°C

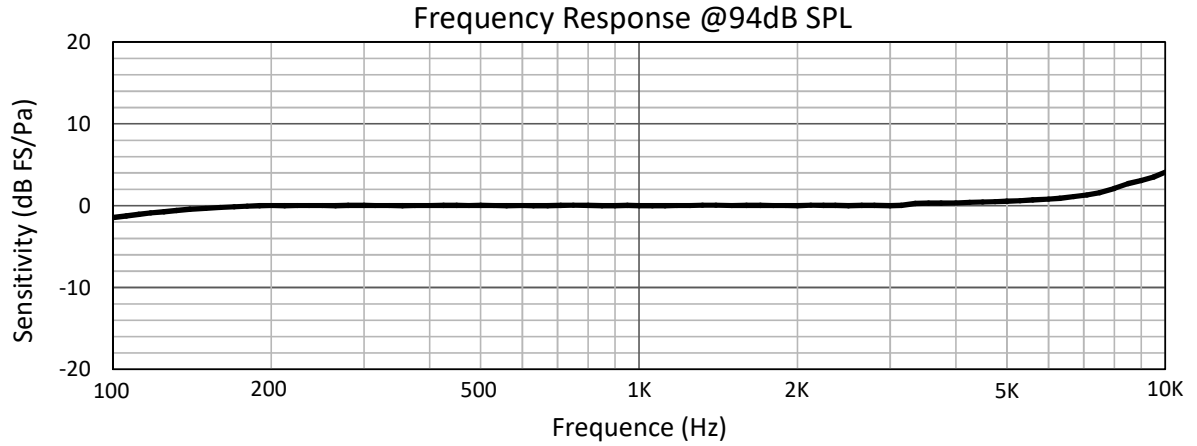
SPECIFICATIONS

All data taken at 25°C, Relative Humidity 45±5% L/R pin grounded unless otherwise specified
V_{dd}=1.8V, clock frequency=3.072MHz

	Limits			unit	condition
	Min.	Nom.	Max.		
Directivity	Omni directional				
Sensitivity	-27	-26	-25	dB	dBFS @1kHz 1Pa
Operation voltage	1.6		3.6	V	
Freq. range	Refer to the frequency response			Hz	
Sensitivity loss across supply voltage	No change across the voltage range			dB	
Signal to noise ratio	-	64	-	dB	20 kHz bandwidth, A-weighted
THD	-	0.1	-	%	94dB SPL @1kHz S =Nom, Rload > 2 k
AOP	-	120	-	dB SPL	10% THD @1kHz S =Nom, Rload > 2 k
Polarity	increasing sound				Increasing density of 1's
PSR		-72		dBFS(A)	
Current consumption	-	750	1000	μA	Normal mode
	-	400	-	μA	Low power mode
Clock frequency	1.0	3	4.0	MHz	Normal mode
	150		600	KHz	Low power mode
Storage temperature	-40	-	100	°C	
Power-up time	-	6	20	ms	



TYPICAL FREQUENCY RESPONSE



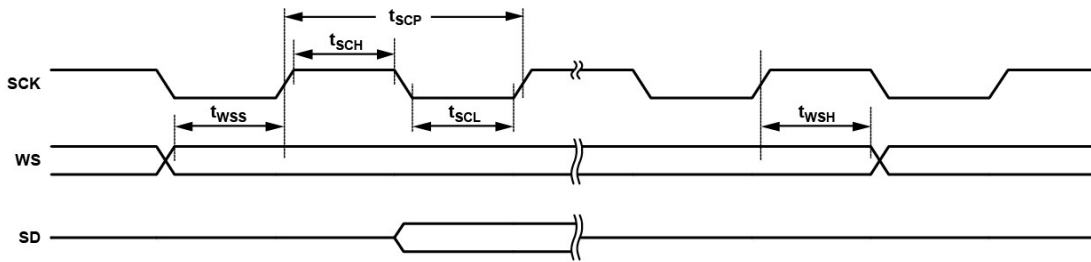
LOGIC TABLE

	Parameter	Symbol	Min	Max	Unit
Digital	Low Voltage Input(L/R, WS, SCK)	VIL	0	$0.25 \times VDD$	V
Input	High Voltage Input(L/R, WS, SCK)	VIH	$0.7 \times VDD$	VDD	V
SD/Digital Output	Voltage Output Low	VOL	$0.1 \times VDD$	$0.3 \times VDD$	V
	Voltage Output High	VOH	$0.7 \times VDD$	$0.9 \times VDD$	V



TIMING DIAGRAM

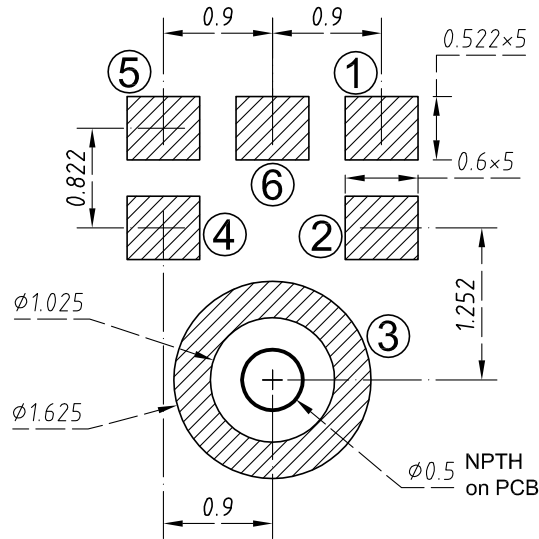
Parameter	Description	Min.	Norm.	Max.	Unit
tSCH	SCK High	—	50	—	ns
tSCL	SCK Low	—	50	—	ns
tSCP	SCK Period	—	325	—	ns
fSCK	SCK Frequency	—	3.072	—	MHz
tWSS	WS Setup	—	0	—	ns
tWSH	WS Hold	—	20	—	ns
fWS	WS Frequency	—	48	—	kHz



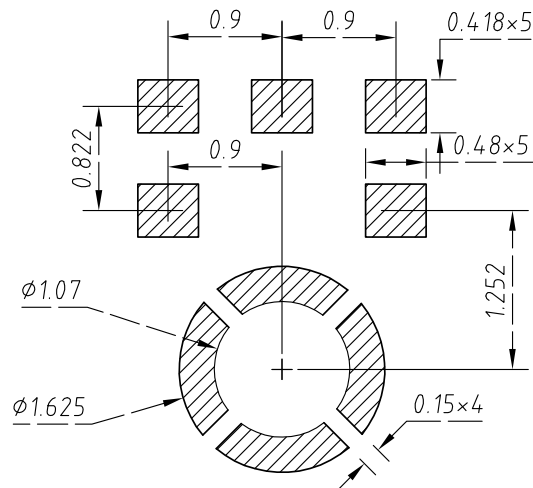


SMT Parameters:

1. Recommend PCB land pattern layout: (unit: mm)

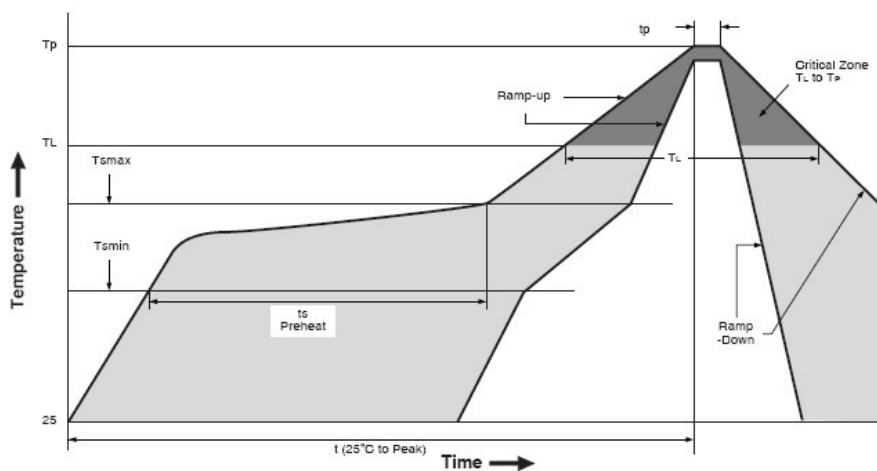


2. Recommend stencil pattern: (unit: mm)





3. Recommend reflow profile:

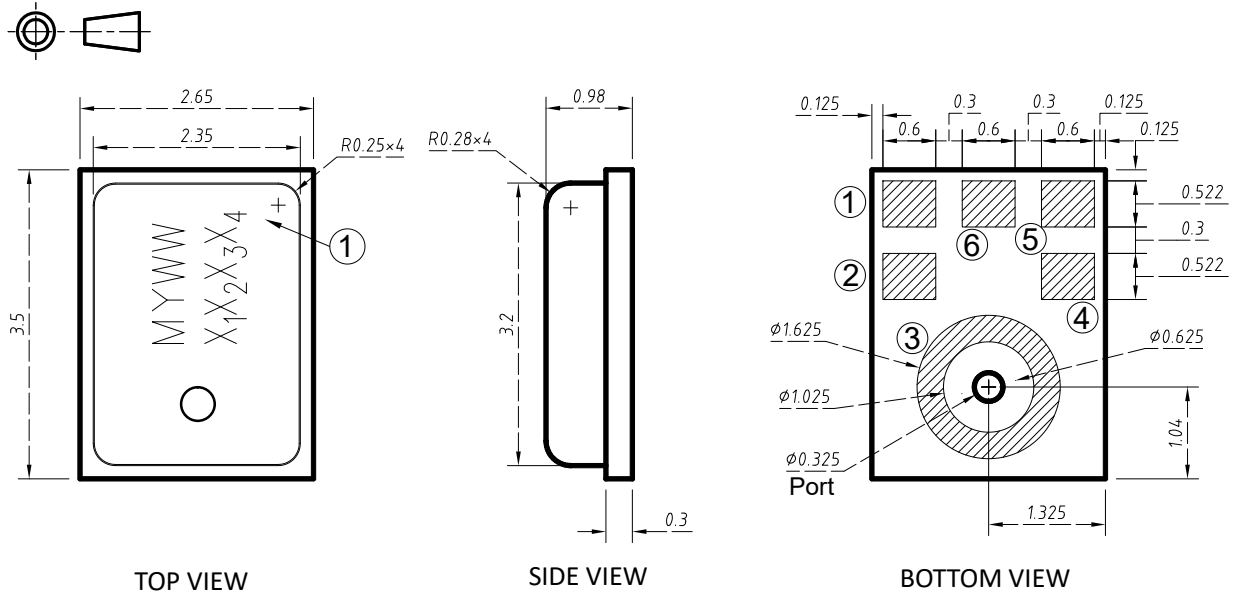


Description	Parameter	Pb free
Average ramp rate	T_L to T_P	3 °C/sec max
Preheat		
Minimum temperature	T_{SMIN}	150 °C
Maximum temperature	T_{SMAX}	200 °C
Time(T_{SMIN} to T_{SMAX})	t_s	60 sec to 180 sec
Ramp-up rate	T_{SMAX} to T_L	15 ~ 2 °C/sec
Time maintained above liquidus temperature	t_L	60 sec to 150 sec
Liquidus temperature	T_L	217 °C
Peak temperature	T_P	260 °C
Time within 5°C of actual peak temperature	t_p	20 sec to 40 sec
Ramp-down rate	T_P to T_{smax}	6 °C/sec max
Time 25 °C ($t_{25 °C}$) to peak temperature	t	8 minutes max

NOTE: When MEMS MIC is soldered on PCB, the reflow profile is set according to solder paste and the thickness of PCB etc.



OUTLINE DIMENSIONS AND PIN DEFINITION:



Pin	Signal	Type	Description
1	VDD	Power	1.8 to 3.3 V. This pin should be decoupled to Pin 6 with a 0.1 μ F capacitor.
2	SCK	Input	Serial Data Clock for I ² S Interface.
3	GND	Ground	Connect to ground on the PCB.
4	L/R	Input	Left/Right Channel Select. When set low, the microphone outputs its signal in the left channel of the I ² S frame; when set high, the microphone outputs its signal in the right channel.
5	WS	Input	Serial Data-Word Select for I ² S Interface.
6	SD	Output	Serial Data Output for I ² S Interface. This pin tristates when not actively driving the appropriate output channel. The SD trace should have a 100 k Ω pull-down resistor to discharge the line during the time that all microphones on the bus have tristated their outputs.

Item	Dimension	Tolerance
Length (L)	3.50	± 0.10
Width (W)	2.65	± 0.10
Height (H)	0.98	± 0.10
Acoustic Port (AP)	$\varnothing 0.325$	± 0.05

Dimensions are in millimeters, tolerance is ± 0.15 mm unless otherwise specified.

MYWW X ₁ X ₂ X ₃ X ₄	M	Memsensing
	Y	Year(A~Z)
	WW	Week
	X ₁ X ₂ X ₃ X ₄	Serial Number



ADDITIONAL NOTES

- (A) MSL (moisture sensitivity level) Class 1.
- (B) Maximum of 3 reflow cycles is recommended.
- (C) In order to minimize device damage:
 - Do not board wash or clean after the reflow process.
 - Do not brush board with or without solvents after the reflow process.
 - Do not directly expose to ultrasonic processing, welding, or cleaning.
 - Do not insert any object in port hole of device at any time.
 - Do not apply air pressure into the port hole.
 - Do not pull a vacuum over port hole of the microphone.
 - Do not apply a vacuum when repacking into sealed bags at a rate faster than 0.5 atm/sec.

STORAGE AND TRANSPORTATION

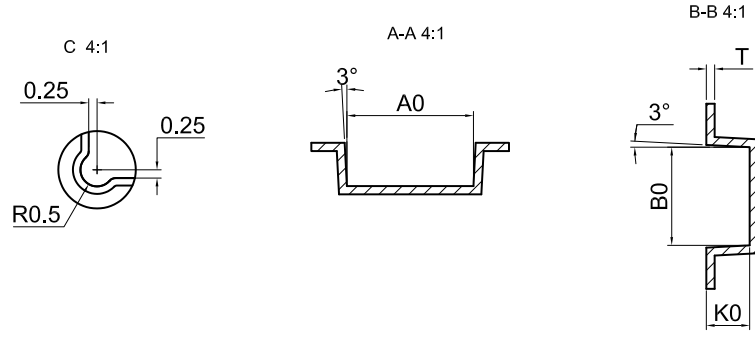
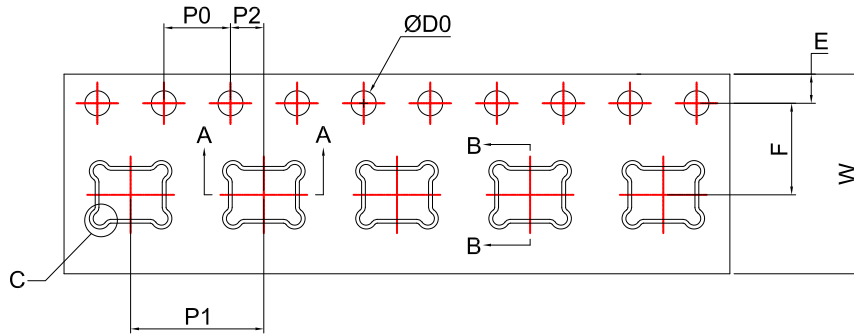
- (A) Keep MEMS MIC in warehouse with less than 75% humidity and without sudden temperature change, acid air, any other harmful air or strong magnetic field.
 - Recommend floor life (out of bag) at factory no more than 4 weeks.
- (B) The MEMS MIC with normal pack can be transported by ordinary conveyances. Please protect products against moist, shock, sunburn and pressure during transportation.

MATERIALS STATEMENT

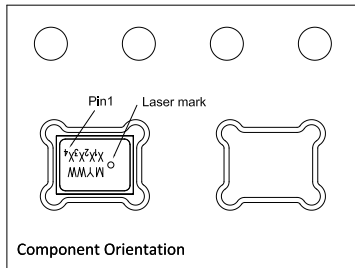
Meets the requirements of the European RoHS and Halogen-Free.



PACKAGING & MARKING DETAIL:



Direction of Feed →



ITEM	W	E	F	ØD0	K0
DIM(mm)	12.00±0.30	1.75±0.10	5.50±0.10	1.50 ^{+0.10} ₀	1.25±0.10
ITEM	P0	10P0	P1	A0	B0
DIM(mm)	4.00±0.10	40.00±0.20	8.00±0.10	3.80±0.10	2.95±0.10
ITEM	P2	T			
DIM(mm)	2.00±0.10	0.25±0.05			

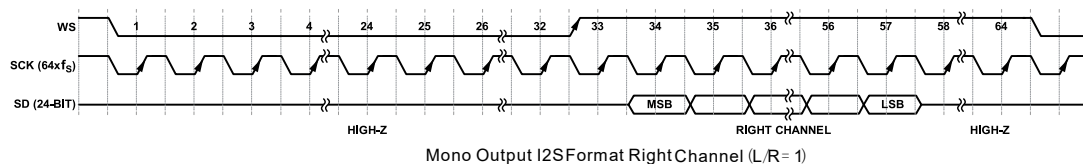
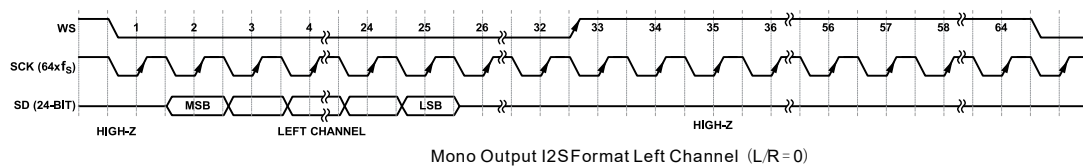
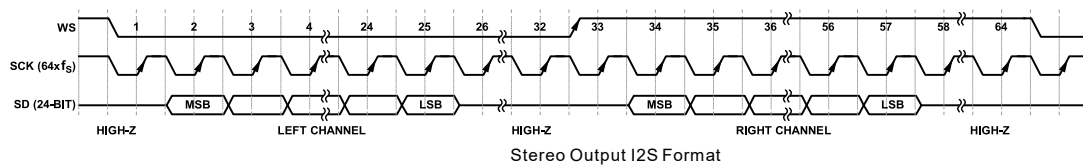
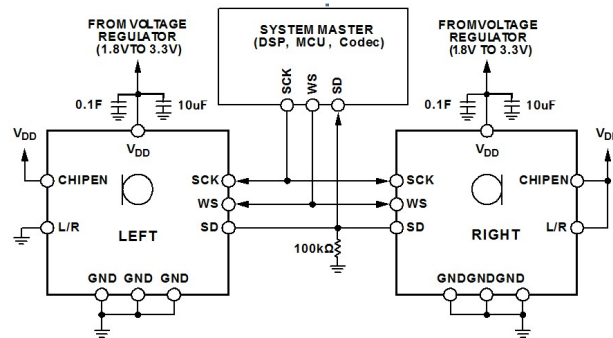
Note:

- 1) Dimensions are in mm;
- 2) Don't put the vacuum suction nozzle alignment the port hole;
- 3) Tape & Reel Per EIA-481 standard;
- 4) Label applied to external package and direct to reel;
- 5) Static voltage <100V;

Model Number	Reel Diameter	Quantity Per Reel
MSM261S3526Z0CM	13 inch	5700



RECOMMENDED INTERFACE CIRCUIT:



I²S DATA INTERFACE

The serial data is in slave mode I²S format, which has 24-bit depth in a 32 bit word. In a stereo frame there are 64 SCK cycles, or 32 SCK cycles per data-word. When L/R=0, the output data in the left channel, while L/R=V_{DD}, data in the right channel. The output data pin (SD) is tri-stated after the LSB is output so that another microphone can drive the common data line.

Data Word Length

The output data-word length is 24 bits per channel. The Mic must always have 64 clock cycles for every stereo data-word ($f_{SCK} = 64 \times f_{WS}$).

Data-Word Format

The default data format is I²S, MSB-first. In this format, the MSB of each word is delayed by one SCK cycle from the start of each half-frame.



RELIABILITY SPECIFICATIONS

Test	Description
Thermal Shock	100 cycles air-to-air thermal shock from -40°C to +125°C with 15 minute soaks.
High Temperature Storage	1,000 hours at +105°C environment
Low Temperature Storage	1,000 hours at -40°C environment
Reflow	5 reflow cycles with peak temperature of +260°C
ESD-HBM	3 discharges of ±2 kV direct contact to I/O pins.
ESD- LID-GND	3 discharges of ±8 kV direct contact to lid while unit is grounded.
ESD-MM	3 discharges of ±200V direct contact to I/O pins.
Vibration	4 cycles of 20 to 2,000 Hz sinusoidal sweep with 20 G peak acceleration lasting 12 minutes in X, Y and Z directions.
Mechanical Shock	3 pulses of 10,000 G in the X, Y and Z direction
High Temperature Bias	1,000 hours at +105°C under bias
Low Temperature Bias	1,000 hours at -40°C under bias
Temperature/Humidity Bias	1,000 hours at +85°C/85% R.H. under bias.
Drop Test	To be no interference in operation after dropped to 1.0cm steel plate 18 times from 1.5 meter height

NOTE: Sensitivity should vary within ±3dB from initial sensitivity. (The measurement to be done after 2 hours of conditioning at 20±2 °C, R.H 60%~70%)

MSM261S3526Z0CM
I²S digital output MEMS microphone

 苏州敏芯微电子技术股份有限公司
MEMSensing Microsystems (Suzhou, China) Co., Ltd.



REVISION HISTORY:

Revision	Subjects (major changes since last revision)	Date
1.0	Initial Release	2019-10-29

公司销售、技术支持联系方式

(<http://www.memsensing.com>)

For English:

MEMSensing Microsystems(Suzhou,China)
Co. Ltd.

No. 99 Jinji Lake Avenue, Bldg. NW-09, Suite 501
Suzhou Industrial Park, China 215123

Phone: +86 512 62956055

Fax: +86 512 62956056

中文用户:

苏州敏芯微电子技术股份有限公司
苏州工业园区金鸡湖大道 99 号, NW-09 楼, 501 室
中国 215123

电话: +86 512 62956055

传真: +86 512 62956056

Disclaimer: specifications and characteristics are subject to change without notice. MEMSensing Microsystems Co. Ltd. assumes no liability to any customer, licensee or any third party for any damages or any kind of nature whatsoever related to using this technical data.