

Data Sheet

- ITEM : COMMON MODE FILTER
- PART NO : ICMF062P900MFR

ITEM	P/N	Page
Common Mode Filter	ICMF062P900MFR	2

1. GENERALS

- This specification covers the engineering requirements for the ICMF062P900M (Common Mode Filter)

2. FEATURES

- Effective for suppressing common mode noise and almost no effect for high speed differential data line
- Ultra low profile (0.87 x 0.67 x 0.47mm)
- Ceramic multilayer type SMD component
- Non-polarized product
- It is a product conforming to RoHS directive.

3. APPLICATIONS

- LVDS lines in notebook computers
- USB2.0, IEEE1394, DVI, HDMI lines in PDP, LCD TV, DVD Player, PC, Audio player, DSC
- MDDI, MIPI in mobile phone

4. PRODUCT SPECIFICATIONS

4. 1 PART NUMBER CODE

ICMF 06 2P 900 M F R
 ① ② ③ ④ ⑤ ⑥ ⑦

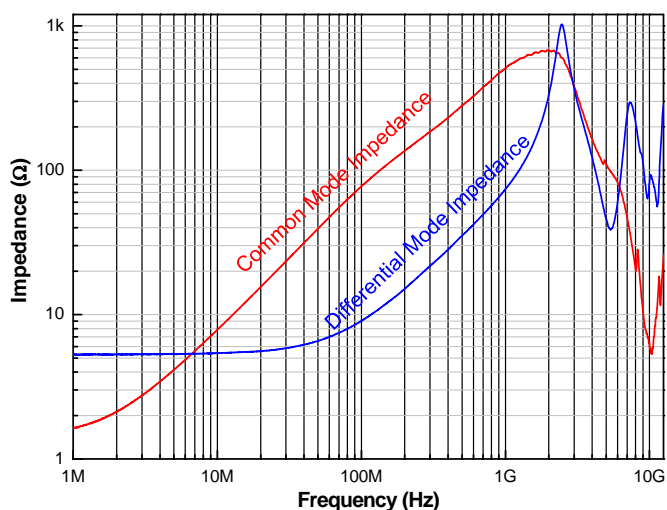
- ① Series name of ICT's Common Mode Filter
- ② Dimensions, 0.85mm (L) x 0.65mm (W)
- ③ The Number of lines, 2P = 2 lines
- ④ Common Mode Impedance (at 100MHz), $90 \times 10^0 = 90\Omega$
- ⑤ Tolerance of common mode impedance, M= $\pm 25\%$
- ⑥ Type of electrode plating: F= Lead Free
- ⑦ Packing Type, R= Reel

购买原装正品请认准-德方电子
 免费服务热线: 400-655-8700
 深圳总部电话: 0755-28187877
 网址: www.denovocn.com

4. 2 SPECIFICATION OF ELECTRICAL CHARACTERISTICS

Characteristics	Common Mode Impedance	Resistance	Insulation Resistance	Rated Current
symbol	Z_{CM}	R_{DC}	IR_{CR}	I_R
Units	Ω	Ω	M Ω	mA
Test Condition	@100MHz	25°C±2°C	5V	25°C±2°C
Value	90(±25%)	Max 5.0	Max 10	Max 100

- Impedance Curves

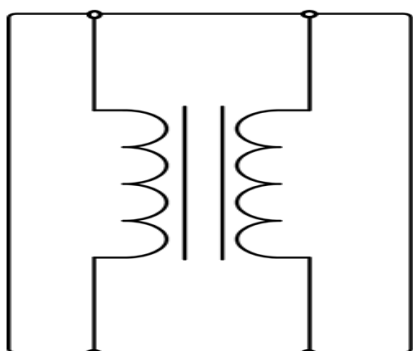


ITEM	P/N	Page
Common Mode Filter	ICMF062P900MFR	4

4. 3 OPERATING TEMPERATURE

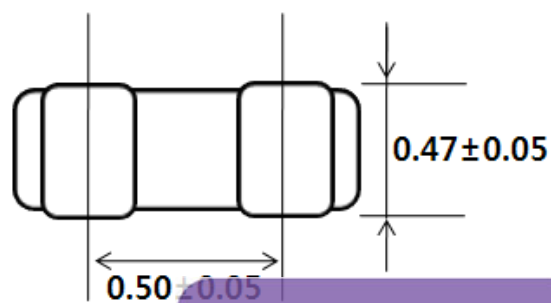
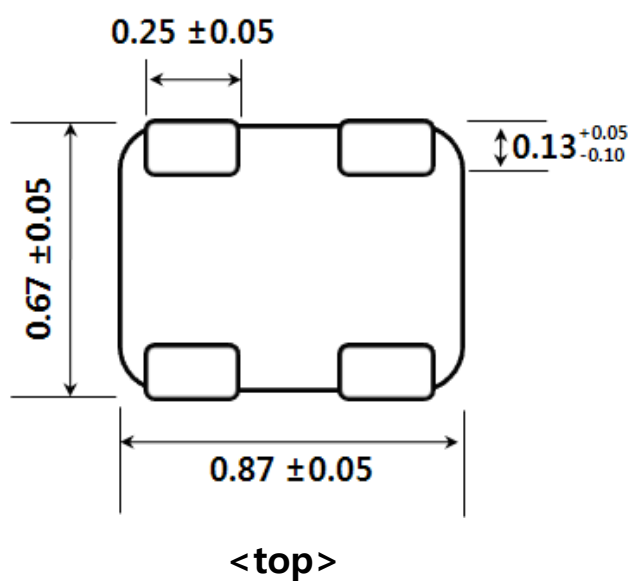
DESCRIPTION	REQUIREMENTS
Operating Temperature	-40°C ~ + 85°C

5. EQUIVALENT CIRCUIT



6. MECHANICAL PROPERTY

6. 1 Appearance and Dimension



购买原装正品请认准-德方电子
 免费服务热线: 400-655-8700
 深圳总部电话: 0755-28187877
 网址: www.denovon.com

Unit: mm