

Data Sheet

- ITEM : COMMON MODE ESD FILTER
- PART NO : ICMEF214P101MFR

ITEM	P/N	Page
Common Mode ESD Filter	ICMEF214P101MFR	2

1. Generals

- This specification covers the engineering requirements for the ICMEF214P101M (Common Mode ESD Filter)

2. Features

- Effective for suppressing common mode noise and almost no effect for high speed differential data line
- Two common mode filters and four ESD suppression devices integrated
- Ultra low profile (2.0 x 1.2 x 0.8mm)
- Ceramic multilayer type SMD component
- Non-polarized product
- It is a product conforming to RoHS directive.

3. Applications

- LVDS lines in notebook computers
- USB2.0, IEEE1394, DVI, HDMI lines in PDP, LCD TV, DVD Player, PC, Audio player, DSC
- MDDI, MIPI in mobile phone

4. Product specifications

4. 1 PART NUMBER CODE

ICMEF 21 4P 101 M F R
 ① ② ③ ④ ⑤ ⑥ ⑦

- ① Series name of ICT's Common Mode ESD Filter
- ② Dimensions, 2.0mm (L) x 1.2mm (W)
- ③ Number of lines, 4P= 4 lines
- ④ Common Mode Impedance (at 100MHz), 101= 100Ω
- ⑤ Tolerance of common mode impedance, M= ±25%
- ⑥ Type of electrode plating: F= Lead Free
- ⑦ Packing Type, R= Reel

购买原装正品请认准-德方电子
 免费服务热线: 400-655-8700
 深圳总部电话: 0755-28187877
 网址: www.denovocn.com

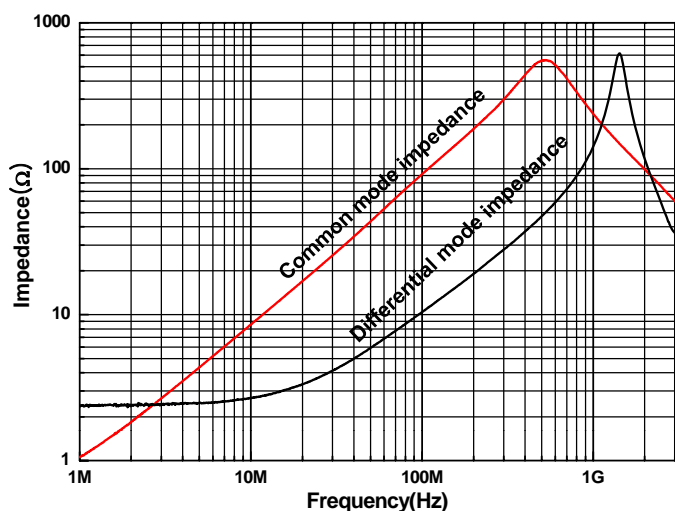
4.3 Specification of electrical characteristics

Characteristics	Common Mode Impedance	Resistance	Leakage Current	Capacitance	Insulation Resistance (Max)	Rated Voltage	Rated Current
symbol	Z_{CM}	R_{DC}	I_L	C	IR_{CR}	V_R	I_R
Units	Ω	Ω	μA	pF	M Ω	Volt	mA
Test Condition	@100MHz	25°C ±2°C	5V	0.5Vrms @1MHz	10V	25°C ±2°C	25°C ±2°C
Value	100(±25%)	Max 4.0	Max 1.0	Max 1.7	Min 10	5	Max100

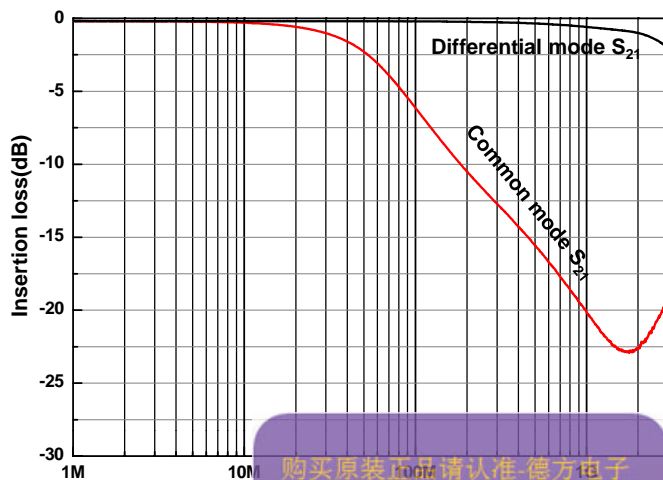
■ TERMINOLOGY

- V_t : Per IEC 61000-4-2, 30A@8kV, level 4, trigger voltage measured initiation of pulse, all test in contact discharge mode.
- V_c : Per IEC 61000-4-2, 30A@8kV, level 4, clamp measurement made 30ns after initiation of pulse, all test in contact discharge mode.

- Impedance Curves



- Transmission characteristics (S-parameter)



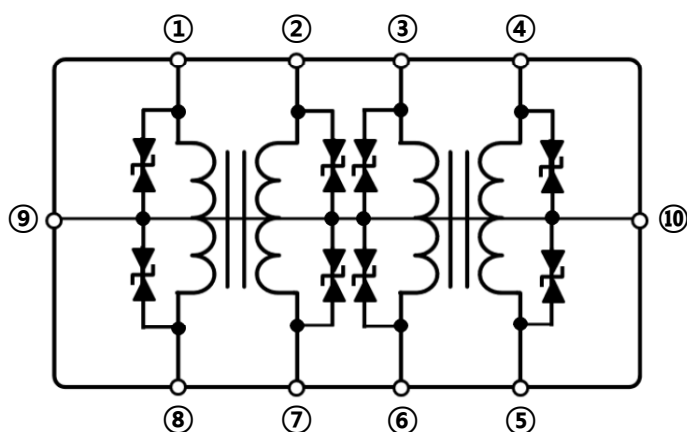
购买原装正品请认准-德方电子
 免费服务热线: 400-655-8700
 深圳总部电话: 0755-28187877
 网址: www.denovcn.com

ITEM	P/N	Page
Common Mode ESD Filter	ICMEF214P101MFR	4

4. 4 Operating Temperature

DESCRIPTION	REQUIREMENTS
Operating Temperature	-40℃ ~ + 85℃

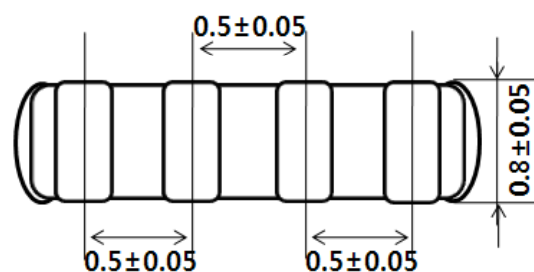
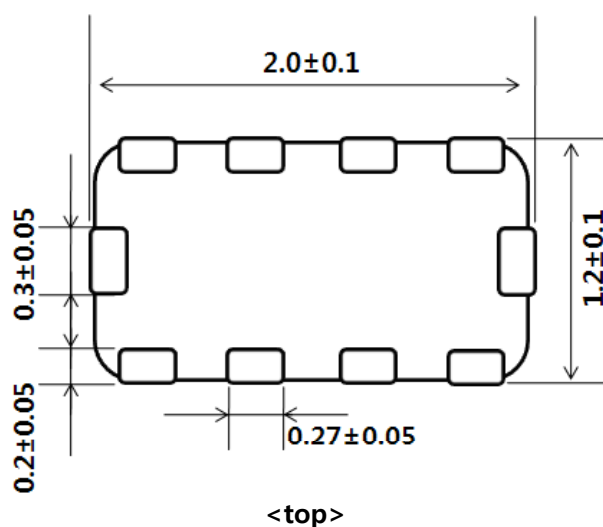
5. Equivalent Circuit



PIN NUMBER	DESCRIPTION
①~⑧	DATA LINE
⑨, ⑩	GROUND

6. Mechanical Property

6. 1 Appearance and Dimension



购买原装正品请认准-德方电子
 免费服务热线: 400-655-8700
 深圳总部电话: 0755-28187877
 网址: www.denovcn.com