

ITEM	P/N	Page
Common Mode Notch Filter	ICMD112P501MFR	1

Data Sheet

- ITEM : Common Mode Notch Filter
- PART NO : ICMD112P501MFR

购买原装正品请认准-德方电子
免费服务热线: 400-655-8700
深圳总部电话: 0755-28187877
网址: www.denovocn.com

ITEM	P/N	Page
Common Mode Notch Filter	ICMD112P501MFR	2

1. GENERALS

- This specification covers the engineering requirements for the ICMD112P501M (Common Mode Notch Filter)

2. FEATURES

- Effective for suppressing common mode noise and differential mode of GPS noise(@1.5GHz).
- Ultra low profile (1.2 x 1.0 x 0.6mm)
- Ceramic multilayer type SMD component
- Non-polarized product
- It is a product conforming to RoHS directive.

3. APPLICATIONS

- MIPI(LCD, CAM) for Mobile Device

4. PRODUCT SPECIFICATIONS

4. 1 PART NUMBER CODE

ICMD 11 2P 501 M
 ① ② ③ ④ ⑤

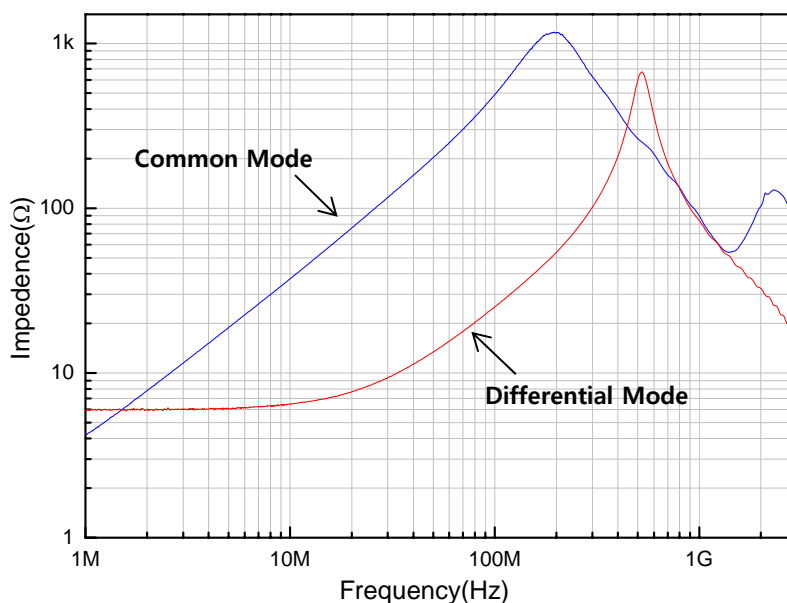
- ① Series name of ICT's Common Mode Notch Filter
- ② Dimensions, 1.25mm (L) x 1.0mm (W)
- ③ The Number of lines, 2P = 2 lines
- ④ Common Mode Impedance (at 100MHz), 501= 500Ω
- ⑤ Tolerance of common mode impedance, M= ±25%

购买原装正品请认准-德方电子
 免费服务热线: 400-655-8700
 深圳总部电话: 0755-28187877
 网址: www.denovcn.com

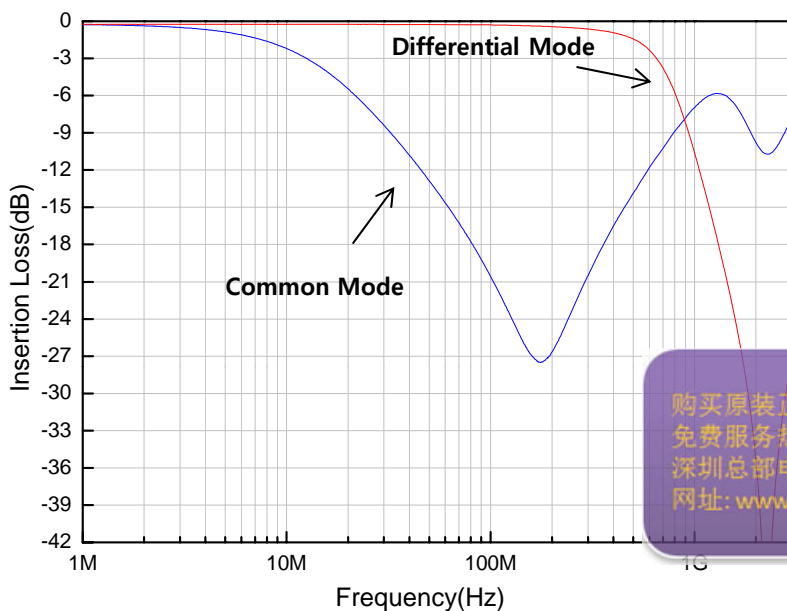
4. 2 SPECIFICATION OF ELECTRICAL CHARACTERISTICS

Characteristics	Common Mode Impedance	Resistance	Rated Current	Insulation Resistance (Max)	Rated Voltage
symbol	Z_{CM}	R_{DC}	I_R	IR_{CR}	V_C
Units	Ω	Ω	mA (Max)	Ω	Volt (typ)
Test Condition	@100MHz	$25^\circ C \pm 2^\circ C$	2V	10V	$25^\circ C \pm 2^\circ C$
Value	500 ($\pm 25\%$)	$< 5\Omega$	100	$\geq 10M$	10

- Impedance Curves



- Transmission characteristics (S-parameter)



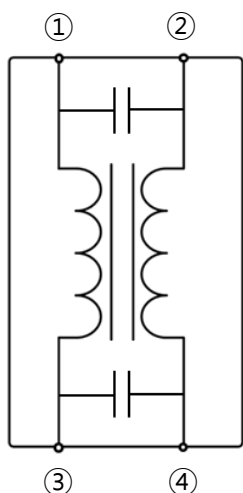
购买原装正品请认准-德方电子
 免费服务热线: 400-655-8700
 深圳总部电话: 0755-28187877
 网址: www.denovocn.com

ITEM	P/N	Page
Common Mode Notch Filter	ICMD112P501MFR	4

4. 3 OPERATING TEMPERATURE

DESCRIPTION	REQUIREMENTS
Operating Temperature	-40°C ~ + 85°C

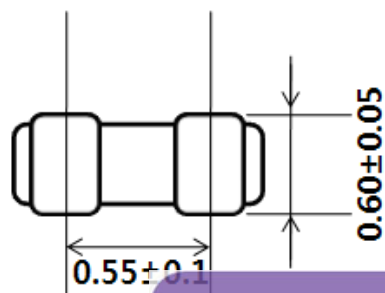
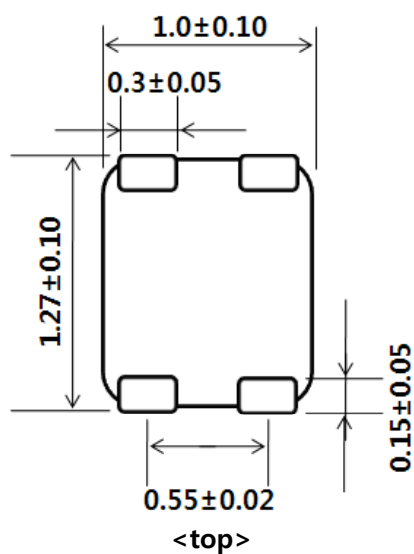
5. EQUIVALENT CIRCUIT



PIN NUMBER	DESCRIPTION
①~④	DATA LINE

6. MECHANICAL PROPERTY

6. 1 Appearance and Dimension



购买原装正品请认准-德方电子
 免费服务热线: 400-655-8700
 深圳总部电话: 0755-28187877
 网址: www.denovocn.com

Unit : mm